

TEST GAUGE WITH BOURDON TUBE MEASURING UNIT ACC. TO DIN EN 837-1 WITH MIRROR TYPE SCALE



DRUCK & TEMPERATUR

Nominal size 160 and 250
Connection position radial bottom
or excentric back
Connection brass or stainless steel
Class 0,6 and 0,25



For exact pressure measurement and pressure tests on containers, for pipes, for laboratory environment and for quality management. Through scale division and knife edge pointer the measurement values can be read exactly.

Type	8811	8812	8891	Options
Nominal size	160		250	
Symbol				as safety version = Type 8801
Accuracy class	class 0,6 acc. to DIN EN 837-1		class 0,25 acc. to DIN EN 837-1	Cl. 0,25, GRADE 3A ASME B 40.1 for ≤ 400 bar Type 8812 und 8812
Display range	0...0,6 up to 0...600 bar	0...0,6 up to 0...1600 bar	0...0,6 up to 0...600 bar	
	negative and/or positive overpressure: -0,6...0 bar up to -1...+15 bar			
Field of application	Static load: full scale value Alternating load: 0,9 x full scale value short-time: 1,3 x full scale value			
Case	Stainless steel 1.4301 , with blow-out back			Glycerine filling from 0...2,5 bar (not NS 250)
Bayonet ring	Stainless steel 1.4301			
Measuring unit	≤ 40 bar Copper alloy 60 bar Copper-beryllium alloy ≥ 100 bar 316 L (1.4404) 600 bar Nickel-iron alloy	Stainless steel 316 L (1.4404) ≥ 600 bar Nickel-iron alloy	≤ 40 bar Copper alloy 60 bar Copper-beryllium alloy ≥ 100 bar 316 L (1.4404) 600 bar Nickel-iron alloy	
Pressure connection material	Brass	Stainless steel 316L (1.4404)	Brass	8891 in 316L
Pressure connection	G 1/2 B			Others on request
Connection position	radial bottom			back excentric
Window	Instrumental glass	Safety glass	Instrumental glass	
Pointer mechanism	Brass /Nickel silver, low friction			
Dial	Mirror type scale, Aluminium white, scale black			Special scale, zero adjustment (turnable dial)
Pointer	Knife edge pointer, Aluminium black			
Protection class	IP 54 acc. to EN 60529 / IEC 529			IP 65 for filled gauges
Temperatures (unfilled version)	Surrounding: -40°C...+60°C Medium: -20°C... +80°C Store: -40°C...+70°C	Surrounding: -40°C...+60°C Medium: -20°C...+80°C Store: -40°C...+70°C	Surrounding: -40°C...+60°C Medium: -20°C...+80°C Store: -40°C...+70°C	Store/Surrounding for filled gauges only from -20°C
Optional mounting	Mounting back flange (for NS 250 with 3 brackets) or front ring			

Type 8811, 8812, 8801, 8891

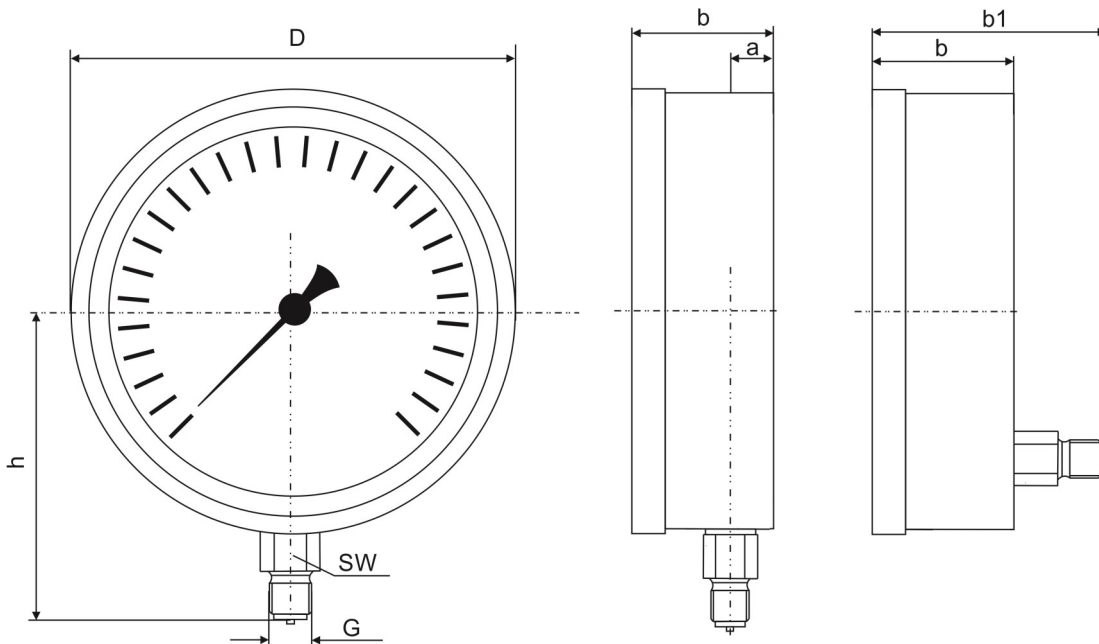
Dimensional drawings

Dimensions in mm



DRUCK & TEMPERATUR

Type 8811, 8812, 8801, 8891



Type	NS	D	b	b1	a	h	G	SW	Weight in kg unfilled, without mounting	Weight in kg filled, without mounting
8811	160	161	54	91,5	15,5	115	G 1/2 B	22	1,1 kg	1,95 kg
8812	160	161	54	91,5	15,5	115	G 1/2 B	22	1,1 kg	1,95 kg
8801	160	161	78	-	40	115	G 1/2 B	22	1,5 kg	2,95 kg
8891	250	251	58	96	15,5	165	G 1/2 B	22	2,1 kg	-