

PULSE SNUBBER

for G1/4 and G1/2
permanently installed throttle devices



Description

In principle, pressure gauges must be protected from pressure surges and pulsations in the medium (EN 837-2).

Adjustable or permanently installed throttle devices are the appropriate technical means for this purpose.

With the adjustable throttle devices, the throttling can be individually adapted to the respective operating conditions by changing the passage cross-section.

A possible readjustment during operation is possible at any time.

Throttle devices with capillary tubes have a particularly strong damping effect due to their structure. The degree of damping depends on the length of the capillary tube and its inner diameter (e.g. $\varnothing 0.3\text{mm} \times 50\text{mm}$).

The pulsations and pressure surges in the medium that occur in compressors, steam engines, hydraulic presses, tearing machines, etc. are largely compensated for by throttling.

This means that the pressure gauges have a significantly longer service life and the reading accuracy is improved.

The effectiveness of a throttle device begins from a pressure range of > 0.4 bar.

Features

- Stepless adjustment
- Easy handling
- Various materials to choose

Pressure ranges

PN 100, PN 250 und PN 400

Connection

Type 88 Inlet G1/2- Outlet G1/2

Type 87 Inlet G1/4 x Outlet G1/4

Application

General engineering
Hydraulics
Compressors
Pumps
Plant engineering

Options

- Other materials
- Other connections G3/8, M20x1,5, 1/4NPT, 1/2 NPT
- Oil-free and grease-free
- Test certificate according to EN 10 204 for housing material and the pressure test

Type 87, 88

Technical information and

Dimensional drawings Dimensions in mm



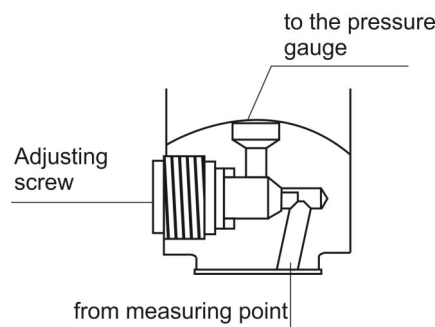
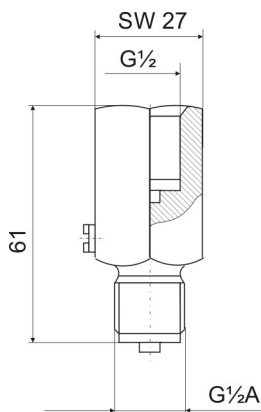
DRUCK & TEMPERATUR

Type	Material			PN in bar	Temperature range
	Case	Spindle	Sealing		
87 G1/4 x G1/4	Brass	1.4404	NBR	250	-10...120°C
	Steel ¹⁾				
	1.4571	1.4571	FPM		
88 G1/2 x G1/2	Brass	1.4404	NBR	400	
	Steel ¹⁾				
	1.4571	1.4571	FPM		

¹⁾ rust-protected

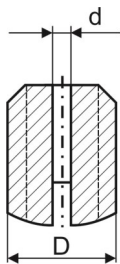
Type 88

Function

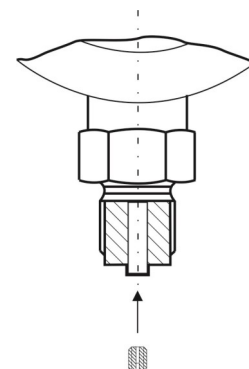


Permanently installed throttle device / throttle screws

are screwed into the threaded pressure channel bore with connecting pieces



D	d	Material	Device	Medium
M3	0,3	Brass nickle plated	≤ NG 63	Air
	0,6			Fluids
M4	0,3	1.4571	≥ NG 80	Air
	0,8			Fluids
	0,5	Refrigerant		
	0,8	Fluids		



Special versions available

SUKU Druck- und Temperaturmesstechnik GmbH

Garnsdorfer Hauptstraße 109 • 09244 Lichtenau / Sachsen - GERMANY
Tel.: +49 37208 / 2717 • Fax: +49 37208 / 61713 • contact@suku.de • www.suku.de