

# TEST GAUGE WITH BOURDON TUBE MEASURING UNIT ACC. TO DIN EN 837-1



DRUCK & TEMPERATUR

**Nominal size 160**  
**Connection position radial bottom**  
**or back excentric**  
**Class 0,6**



For exact pressure measurement and pressure tests on containers, for pipes, for laboratory environment and quality management. Through scale division and knife edge pointer the measurement values can be read exactly.

Type	8751	8771	Options
Nominal size	160		NS100 Type <b>5331</b> as test gauge 0...1 up to 0...400 bar
Symbol			With glycerine filling (possible up to 0...600 bar)
Accuracy class	class 0,6 acc. to DIN EN 837-1		
Display range	0...0,6 bar up to 0...1000 bar, negative and/or positive over-pressure: -0,6...0 bar up to -1...+15 bar		
Field of application	Static load: full scale value Alternating load: 0,9 x full scale value short-term: 1,3 x full scale value		
Case	Stainless steel, blow-out back		Steel, black with connection bottom (8751)
Bayonet ring	Stainless steel		Steel, black with connection bottom (8751)
Measuring unit	Copper alloy up to 40 bar, from 60 bar stainless steel		
Pressure connection material	Copper alloy		
Pressure connection	G 1/2 B		
Connection position	radial bottom	back excentric	
Window	Instrumental glass		Multi-layer safety glass (with glycerine filling)
Pointer mechanism	Copper alloy and nickel silver		
Dial	Aluminium white, scale black		Special scale
Pointer	Knife edge pointer, Aluminium black		
Protection class	IP 54 acc. to EN 60529 / IEC 529		IP 65 for filled gauges
Temperatures	Surrounding: -20°C bis +60°C Medium: -20°C bis 80°C		
Temperature influence	0,3% per 10 K deviation of the adjustment temperature (20°C)		
Adjustment medium	Up to 25 bar air, from 40 bar water or oil When ordering, please quote the used medium on the deployment site, because of changing the medium display changes could be possible.		
Optional mounting	Mounting front flange or back, triangle front ring with brackets		

Type 8751, 8771, 5331

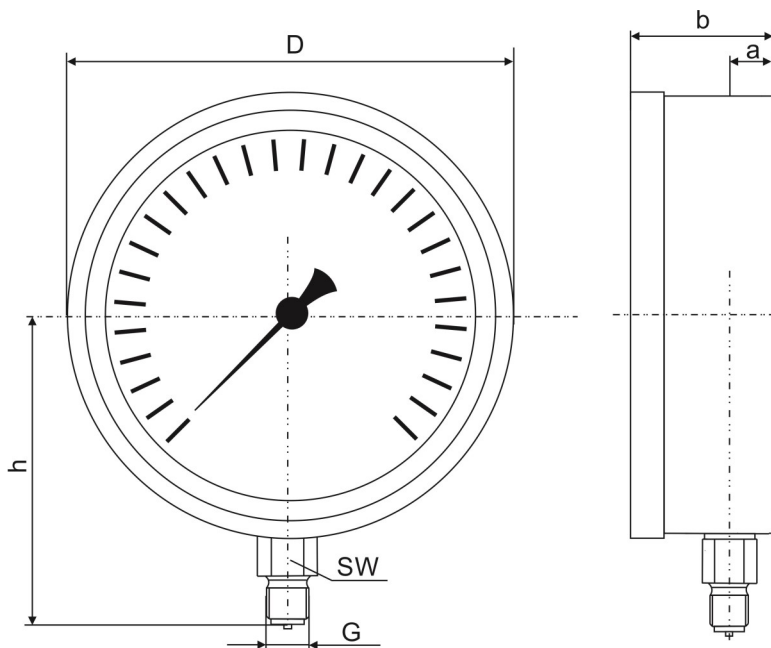
## Dimensional drawings

Dimensions in mm

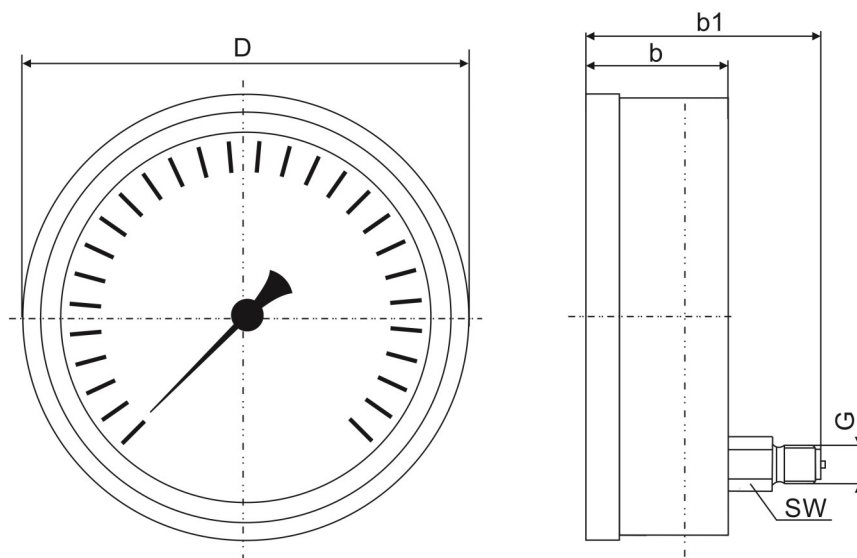


DRUCK & TEMPERATUR

### Type 8751



### Type 8771



Baureihe	NS	D	b	b1	a	h	G	SW	Weight in kg unfilled, without mounting	Weight in kg filled, without mounting
8751	160	161	49	-	15	117	G 1/2 B	22	1,0 kg	2,1 kg
8771	160	160	51	86	-	-	G 1/2 B	22	1,0 kg	2,1 kg
5331	100	101	49	-	15	~80	G 1/2 B	22	0,60 kg	-