

**PRESSURE GAUGE WITH DIAPHRAGM
INDUSTRY VERSION
with or without filling
Thread or DIN flange**

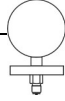


DRUCK & TEMPERATUR

**Nominal size 100 and 160
Accuracy class 1,6 and 2,5
DIN EN 837-3**

For tough requirements such as for use in industrial production plants. For highly viscous and crystallizing substances, open connection flanges are used, which enable easy cleaning.



Type	5921	5931	7851	7861	Options
Nominal size	100	160	100	160	
Symbol	without glycerine filling		with glycerine filling		
					
Accuracy	Class 1,6		Class 1,6 Range < 400 mbar cl. 2,5		class 1,0 or 0,6
Ranges	0...10 up to 0...400 mbar (flange diameter 160, opt. 400 mbar flange Ø100) 0...0,6 up to 0...40 bar (flange diameter 100) -0,6...0 up to -1...+15 bar (flange diameter 100)				other graduations and other units
Applications	Constant load: full scale value Alternating load: 0,9 x full scale value Overload, short time: 1,3 x full scale value				higher overpressure safety
Case	CrNi-steel	Steel, black	CrNi-steel	CrNi-steel	Safety housing, plastic screw housing, Polyamide
Bayonet ring	CrNi-steel	Steel, black	CrNi-steel	CrNi-steel	
Measuring element	CrNi-steel, from 4 bar steel				Duratherm
Connection	Steel, zinc-plated				
Thread, flange	G1/2 B, bottom or DIN-flange (see tables at next pages), PN40				others on request, Channel drilling Ø10mm
Wetted parts	Lower flange steel, zinc-plated, sealing NBR				PTFE coating, Tantal, Silver
Window	Instrumental glass			Safety glass	
Movement	Brass and German silver				
Dial	Aluminium white, scale and lettering black				
Pointer	Aluminium black				
Protection	IP54 DIN EN 60 529/IEC 529		IP65 DIN EN 60 529/IEC 529		
Temperatures	Medium: -20°C up to 100°C, ambient: -25°C up to 60°C				
More options	Diaphragm spring vertical design NS 60, 63, 80 design as fire extinguishing pressure gauge see type 1589				

Type 5921, 5931, 7851, 7861

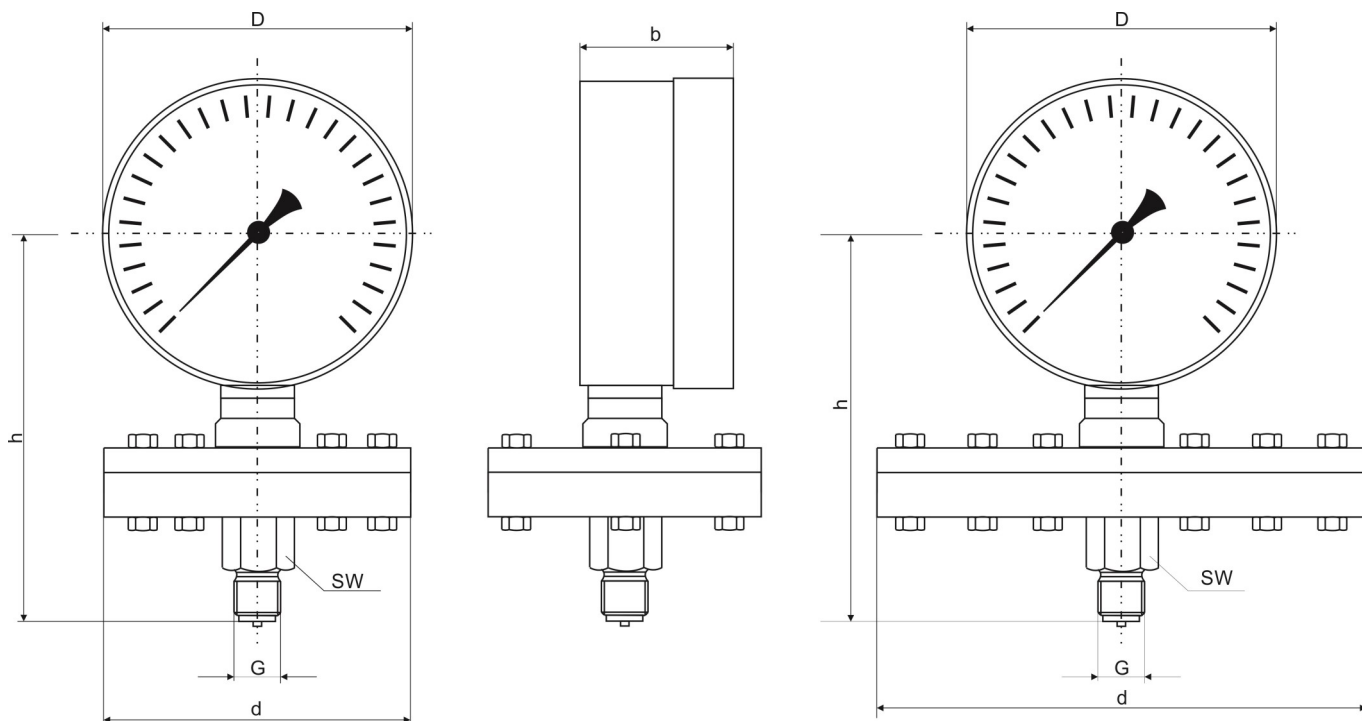
Dimensional drawings

Dimensions in mm



DRUCK & TEMPERATUR

Type 5921, 5931, 7851, 7861 with thread



Dimensions - flange 100 mm (from 600 mbar)

Type	NS	D	b	d	h	SW	G	Weight approx.
5921	100	101	49	100	115	22	G 1/2 B	1,4 kg
5931	100	101	49	100	115	22	G 1/2 B	1,8 kg
7851	160	160	51	100	145	22	G 1/2 B	1,9 kg
7861	160	160	51	100	145	22	G 1/2 B	3,0 kg

Dimensions - flange 160 mm (up to 400 mbar)

Type	NS	D	b	d	h	SW	G	Weight approx.
5921	100	101	49	100	115	22	G 1/2 B	2,4 kg
5931	100	101	49	100	115	22	G 1/2 B	2,8 kg
7851	160	160	51	160	145	22	G 1/2 B	2,9 kg
7861	160	160	51	160	145	22	G 1/2 B	4,0 kg

Deviating dimensions are possible !

Type 5921, 5931, 7851, 7861

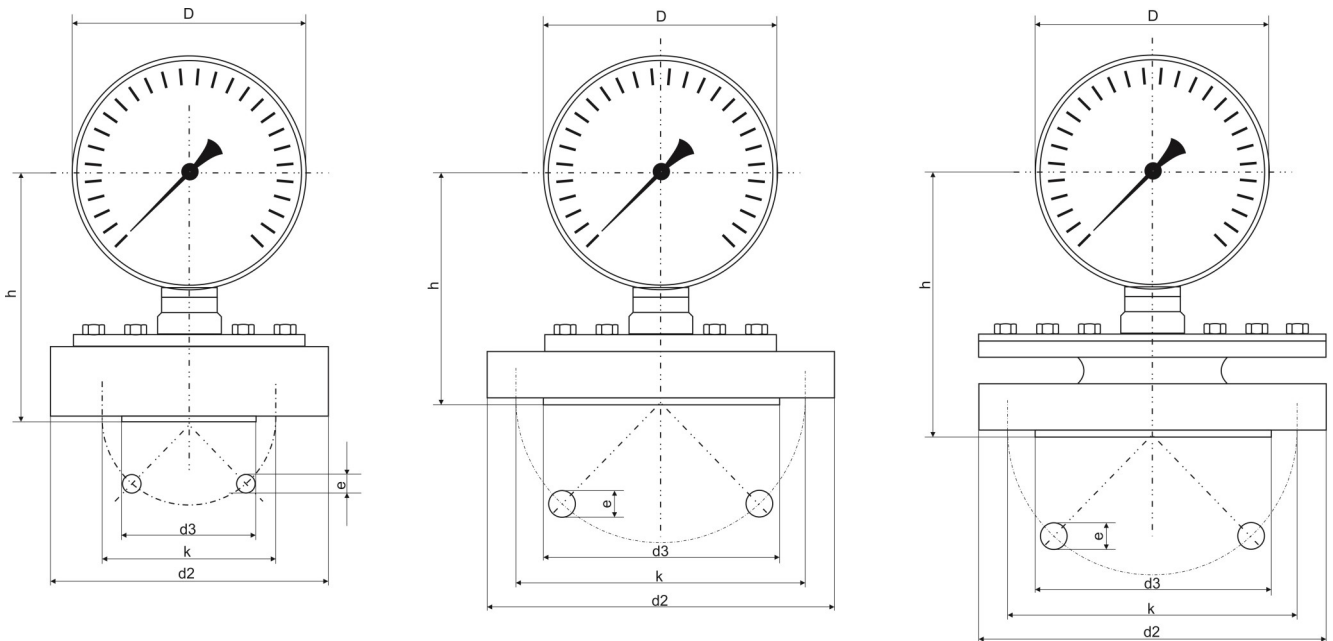
Dimensional drawings

Dimensions in mm



DRUCK & TEMPERATUR

Type 5921, 5931, 7851, 7861 with flange connection



Dimensions - flange 100 mm (from 600 mbar)

Flange DIN	d2	d3	h - NG 100	h - NG 160	k	e	Weight approx. NS 100	Weight approx. NS 160
DN 15	100	45	100	130	65	4 x M12	2,7 kg	3,2 kg
DN 20	105	58	100	130	75	4 x M12	2,7 kg	3,2 kg
DN 25	115	68	100	130	85	4 x M12	2,7 kg	3,2 kg
DN 40	150	88	92	125	110	4 x Ø18	3,0 kg	3,5 kg
DN 50	165	102	92	125	125	4 x Ø18	3,2 kg	3,7 kg
DN 65	185	122	92	125	145	8 x Ø18	4,4 kg	4,9 kg
DN 80	200	138	92	125	160	8 x Ø18	6,9 kg	5,7 kg

Dimensions - flange 160 mm (up to 400 mbar)

Flange DIN	d2	d3	h - NG 100	h - NG 160	k	e	Weight approx. NS 100	Weight approx. NS 160
DN 15	100	45	120	150	65	4 x M12	4,7 kg	5,2 kg
DN 20	105	58	120	150	75	4 x M12	4,7 kg	5,2 kg
DN 25	115	68	120	150	85	4 x M12	4,7 kg	5,2 kg
DN 40	150	88	120	150	110	4 x Ø18	5,4 kg	5,9 kg
DN 50	165	102	120	150	125	4 x Ø18	5,8 kg	6,3 kg
DN 65	185	122	92	125	145	8 x Ø18	7,0 kg	7,5 kg
DN 80	200	138	92	125	160	8 x Ø18	8,4 kg	8,9 kg

Deviating dimensions are possible !