

PRECISION DIGITAL THERMOMETER

battery powered



DRUCK & TEMPERATUR

Nominal size 63, 100
Accuracy 0,3% ± 1 digit

The battery-operated digital thermometers consist of a platinum resistance thermometer and an LC display, which are built into a robust standard stainless steel thermometer housing.

The execution with capillary is possible.

Application

Industrial and plant construction
 refrigeration and food industry



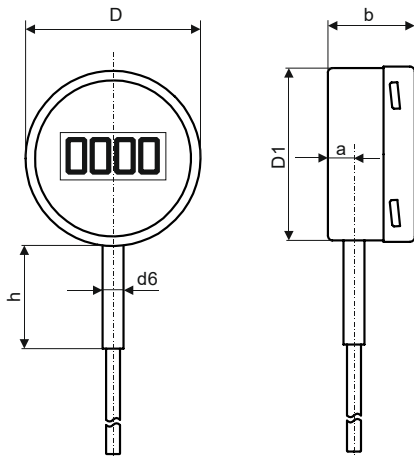
Type	7035	7036	7037	7038	Options
Nominal size	100	100	100	63	
Symbol				Connection bottom, back and with capillary line	Version with measuring device holder, measuring point identification
Connection position	radial bottom	centric back	radial bottom or centric back	radial bottom or centric back	other connection positions
Accuracy	Display: 0,3% v.E. ± 1 digit Sensor: Cl. B acc. to DIN EN 60751 (±0,3 K at 0°C)				
Measuring ranges / resolution	-50,0 / 250,0 °C - 0,1 K -99,9 / +550,0°C - 0,1 K			-50/+199,9°C - 0,1 K -50,0/+550,0°C - 1 K	
Sensor	Platinum measuring resistor Pt1000 according to DIN EN 60 751				
Measuring rate	15 s				
Case	Bayonet case, CrNi-steel 1.4301, with pressure compensation element				Rear mounting edge Material: 316L (1.4404)
Window	Instrument glass				
LC-display	4-digit Digit height 18 mm			3,5-digit Digit height 10 mm	
Battery	3,6 V Lithium battery AA 2600 mA			1/2AA, 1200 mA	
Battery life	depending on use approx. 5-7 years, exchangeable				
Process connection and sensor types	See page 3				
Stem material	CrNi-steel 1.4571				
Stem -Ø	6, 8 or 10 mm			6 mm	
Stem length	Standard: max. 2,5 m				
stat. pressure	max. 25 bar				
Capillary line (max.15m)	-		up to 180°C silicone, up to 260°C PFA		Cable armored with protective spiral hose
Temperatures	Ambient: -10°C...+60°C, storage: -20°C...+70°C				
Protection	IP65 according to DIN EN 60 529				

Type 7035 ,7036 ,7037 ,7038

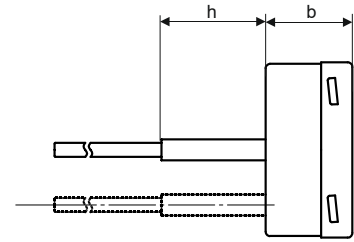
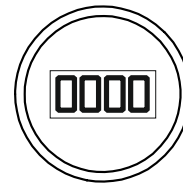
Dimensional drawings Dimensions in mm



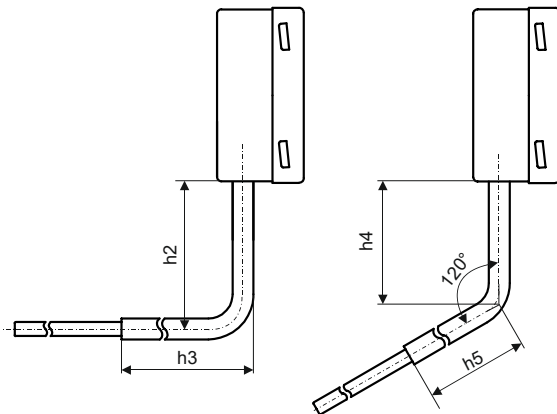
DRUCK & TEMPERATUR



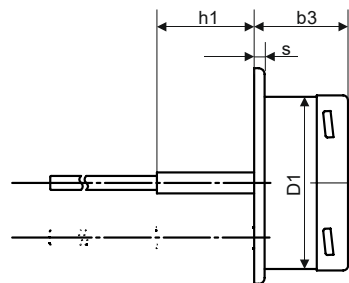
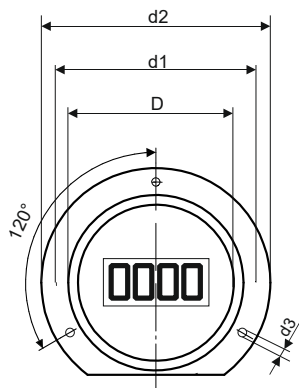
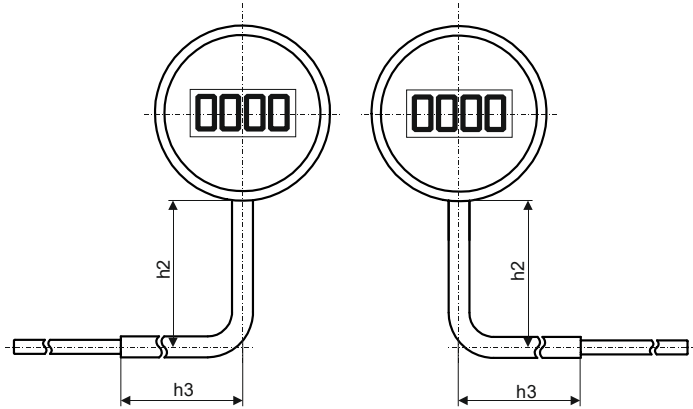
Vertical Bottom Stem Position



Connection back



Angular Bottom Stem Position



With lower flange

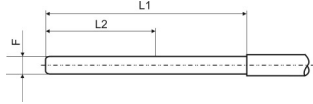
NS	a	b	b3	D	D1	d1	d2	d3	d6	h	h1	h2	h3	h4	h5	s	Masse
63	12	39	42	64	62	75	85	3,6	12	60	57	85	120	70	120	5	0,24 kg
100	15	50	53,5	101	99	116	132	4,8	12	0	56,5	85	120	70	120	6	0,46 kg

Type 7035 ,7036 ,7037 ,7038

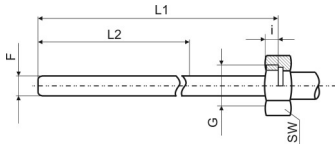
Type **Process connection** **Form acc. DIN 13190**

Thread - Dimensions

G1 Without screw fitting, plain stem Form 1



G3 Union nut Form 5

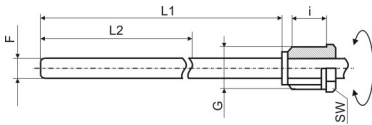


G	SW	i
G1/2	27	10
G3/4	32	12
M20 x1,5	27	10
M24 x1,5	32	12
M27 x 2	32	12

Suitable thermowell models

Form 4.1
Form 4.1F
Form 8
Form 9

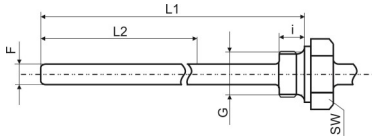
G4 Male thread turnable Form 4



G	SW	i
G1/2B	22	20
G3/4B	27	23
M18x1,5	22	14
M20x1,5	22	20

Form 4
Form 4F
Form 5
Form 6 und 7

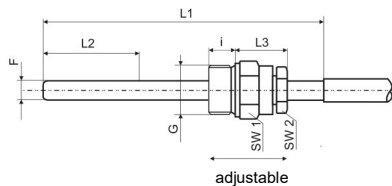
G4.1 Male thread rigid Form 6
Form 7



G	SW	i
G1/2B	27	14
G3/4B	32	16
1/2"NPT	27	19
3/4"NPT	27	19
M18x1,5	24	14
M20x1,5	27	14

Form 4
Form 4F
Form 5
Form 6 und 7

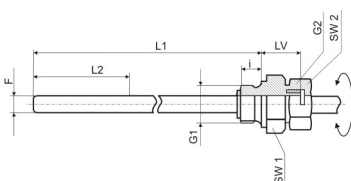
G5 Male thread Compression fitting Form 2
Form 3



G	SW1	SW2	i
G1/2B	27	22	14
G3/4B	32	22	16
1/2"NPT	27	22	19
3/4"NPT	27	22	19
M20x1,5	27	22	14

Form 4
Form 4F
Form 5
Form 6 und 7

G6 Male thread turnable / double male adapter -
Lv = 28 mm



G	G2	SW1	SW2	a
G1/2B	G1/2B	27	27	14
G3/4B	G1/2B	32	27	16
1/2"NPT	G1/2B	27	27	19
3/4"NPT	G1/2B	27	27	19
M20x1,5	M20x1,5	27	27	14
M24x1,5	M20x1,5	32	27	14
M27x1,5	M20x1,5	32	27	16

Form 4
Form 4F
Form 5
Form 6 und 7