

RESISTANCE THERMOMETER

with flexible sheath
or with rigid protective sleeve



For universal use in processes with liquid and gaseous media, at low pressures. Different materials and coatings of the protective sleeves are available to protect against aggressive media. The connection cable and protective sleeve are firmly connected to one another.

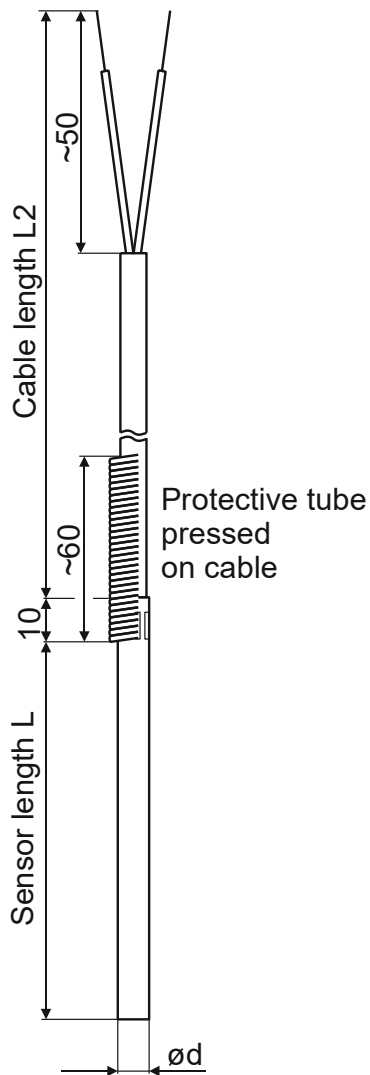


Further versions with screw connections are available.

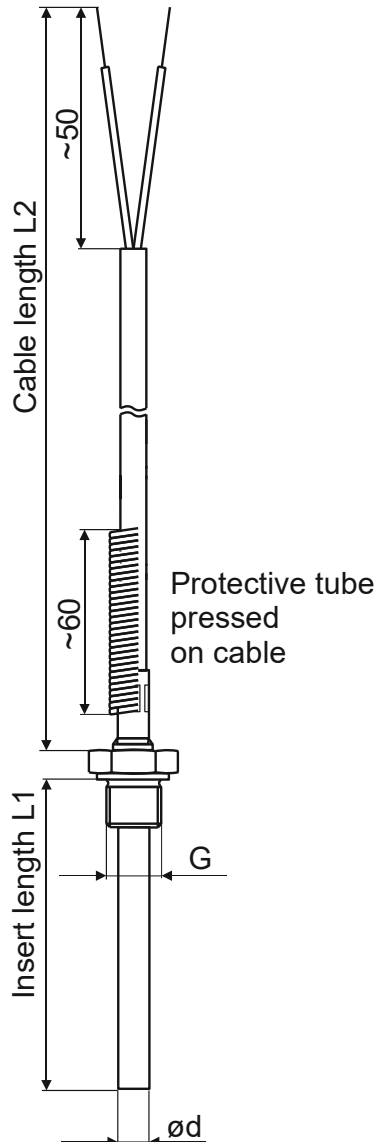
Type	7014		
Version	Cable sensor	Cable sensor with thread	Sheath resistance thermometer with connecting sleeve
Application temperature	dependent on sensor and protective tube material	dependent on sensor and protective tube material	-200 up to 600°C -200 up to 850°C
Temperature sensor acc. DIN EN 60751	1 x Pt 100 cl. F0,15 1 x Pt 100 cl. F0,3 2 x Pt 100 cl. F0,15 2 x Pt 100 cl. F0,3	1 x Pt 100 cl. F0,15 / W0,15 1 x Pt 100 cl. F0,3 / W0,3 2 x Pt 100 cl. F0,15 / W0,15 2 x Pt 100 cl. F0,3 / W0,3	1 x Pt 100 cl. W0,15 1 x Pt 100 cl. W0,3 2 x Pt 100 cl. W0,15 2 x Pt 100 cl. W0,3
Circuit types	2-wire-circuit 3-wire-circuit 4-wire-circuit		
Protection tube material	1.4571, other on request	1.4571, other on request	
Protection tube- Ø	3...10 mm	3...6 mm	
Sheat material			1.451 oder 1.4541
Sheat - Ø			2/3/4,5/6 mm, other on request
Insert length L1		with thread + 10 mm up to 1000 mm	
Cable length L2	mind. 100 mm		
Bend protection	with or without spiral spring		
Thread		M10, G1/4A, G1/2A	
Connection	free ends, connector on request		

Type 7014

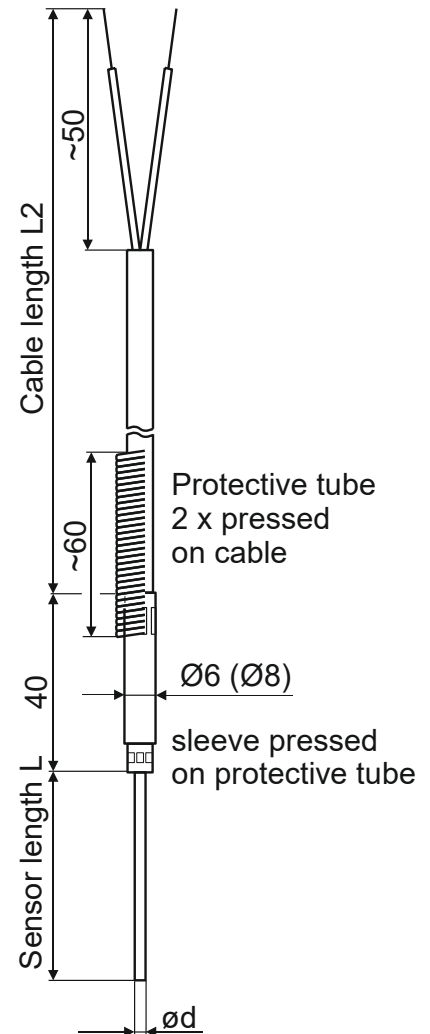
Cable sensors



Cable sensors with thread



Sheath resistance thermometer with sleeve



Bending radius of the sheath material $\geq 5 \times \text{ød}$

Do not bend from the tip up to 80 mm

Please specify the required temperature range when making inquiries and orders.