

## ACCESSORIES



### Shut-off valves according to DIN 16 270, DIN 16 271, DIN 16 272



#### Application

It is principle appropriate to install a barricade between the pressure measuring instrument and pressure pipe. Shut-off valves make it possible to control or exchange a pressure measuring instrument without a breakdown. For shut-off valves with a test connection, it is possible to connect an additional test pressure measuring instrument.

Stop-valves could be applied (according to the choosen material) from PN 250 up to PN 400 and for a measuring material tempera-ture from  $-20^{\circ}\text{C}$  up to  $200^{\circ}\text{C}$  for liquids, gases and steam.

#### Version / Material

Standard:

- Connection  $G\frac{1}{2}$  acc.to DIN 16 288,
- Valve-case with vent screw
- Stem and pin from rustproof and acid-proof steel
- Stuffing box made of PTFE,
- handwheel made of synthetic material
- Silicone free

#### Optionen

- Oil and grease free
- Inspection certificate 3.1 B according to DIN 50 049/EN 10 204
- Connection union nut and male M20 x 1,5

## Technical details

Execution	Connection	Material	PN [bar]	Temperature range	Weight [kg]	Form	Order No.	
without test connection  acc.to <b>DIN 16 270</b>	1/2 NPT <sup>2)</sup>	Brass	250	-10 up to 200 °C	0,54	A	60 15 1 NPT	
		1.4571	400	-20 up to 200°C	0,52	A	60 15 3 NPT	
	G 1/2	Brass <sup>1)</sup>	250	-10 up to 120°C	0,54	A	60 15 1	
					0,61	B	60b 15 1	
		Steel	400	-10 up to 200°C	0,52	A	60 15 2	
					0,56	B	60b 15 2	
		1.4571	-20 up to 200°C	0,52	A	60 15 3		
				0,56	B	60b 15 3		
with test connection M20 x 1,5  acc.to <b>DIN 16 271</b>	1/2 NPT <sup>2)</sup>	Steel	250	-20 up to 200°C	0,65	A	70 15 2 NPT	
		1.4571	400		0,65	A	70 15 3 NPT	
	G 1/2	Brass <sup>1)</sup>	250	-10 up to 120°C	0,67	A	70 15 1	
					0,79	B	70b 15 1	
		Steel	400	-10 up to 200°C	0,65	A	70 15 2	
					0,74	B	70b 15 2	
		1.4571	-20 up to 200°C	0,65	A	70 15 3		
				0,74	B	70b 15 3		
	with test connection fange 60 x 25 x 10 mm acc.to <b>DIN 16 271</b>	G 1/2	Brass <sup>1)</sup>	250	-10 up to 120°C	0,69	A	71 15 1
			Steel	400	-20 up to 200°C	0,75	A	71 15 2
acc.to <b>DIN 16 272</b> with a separate turn off test connection M20 x 1,5  60 x 25 x 10 mm	G 1/2	Brass <sup>1)</sup>	250	-10 up to 120°C	0,95	A	81 15 1	
					1,00	B	81b 15 1	
		Steel	400	-10 up to 200°C	0,95	A	81 15 2	
					1,00	B	81b 15 2	
	1.4571	-20 up to 200°C	0,95	A	81 15 3			
			1,00	B	81b 15 3			
G 1/2	Brass <sup>1)</sup>	250	-10 up to 120°C	1,00	A	80 15 1		

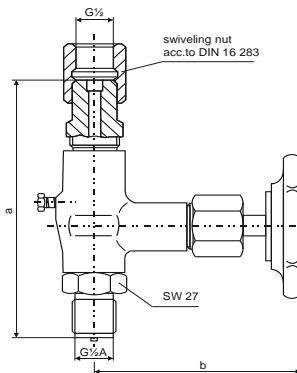
<sup>1)</sup> Swiveling nut steel

<sup>2)</sup> fixed female

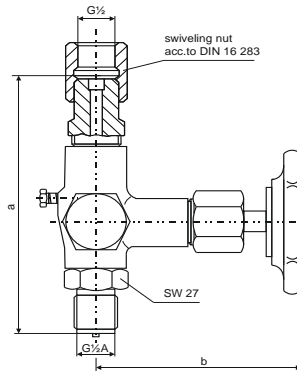
## Dimensioned drawing

**DIN 16 270**  
without test connection

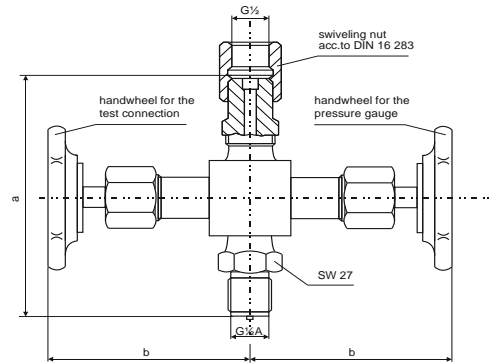
**Form A**, with swiveling nut



**DIN 16 271**  
with test connection M20 x 1,5

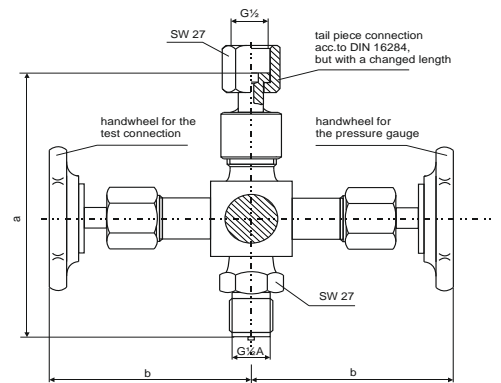
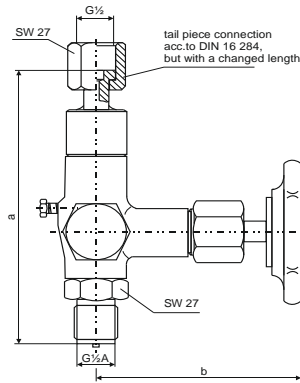
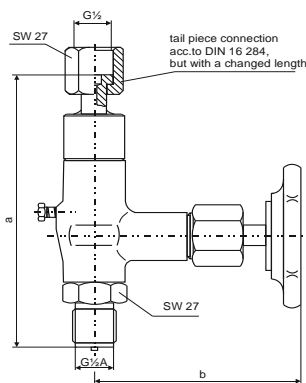


**DIN 16 272**  
with a separate turn off  
test connection M20 x 1,5



Dimensions in mm	
a	100 ±1
b	85±0,5

**Form B**, union nut with tail piece for gauge holder

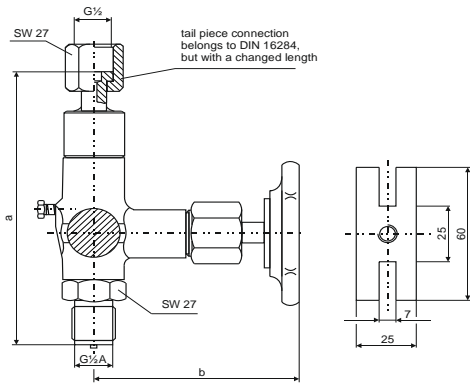


Dimensions in mm	
a	114 ±5
b	85±0,5

## Dimesioned drawing

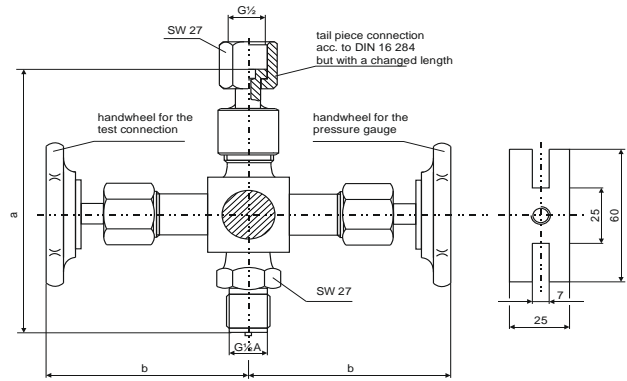
**DIN 16 271**  
with test connection flange 60 x 25 x 10 mm

Form A union nut with tail piece



Dimensions in mm	
a	100 ±1
b	85±0,5

**DIN 16 272 with separate turn off**  
test connection flange 60 x 25 x 10 mm



Dimensions in mm	
a	100 ±1
b	90±0,5