

**PRESSURE GAUGE, STAINLESS STEEL
WITH CURRENT OUTPUT
ACCORDING TO DIN EN 837-1**

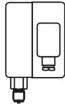


DRUCK & TEMPERATUR

**Nominal size NS 100
Safety version EN 837-1 / S3
without / with filling**

Controlling and regulating process sequences with help of process pressure. Analog display and analog output signal for remote transmission of the measured value. Bourdon tube and sensor work independently of each other. Suitable for all gaseous and liquid media that do not crystallize, are not highly viscous and do not attack the measuring system material.

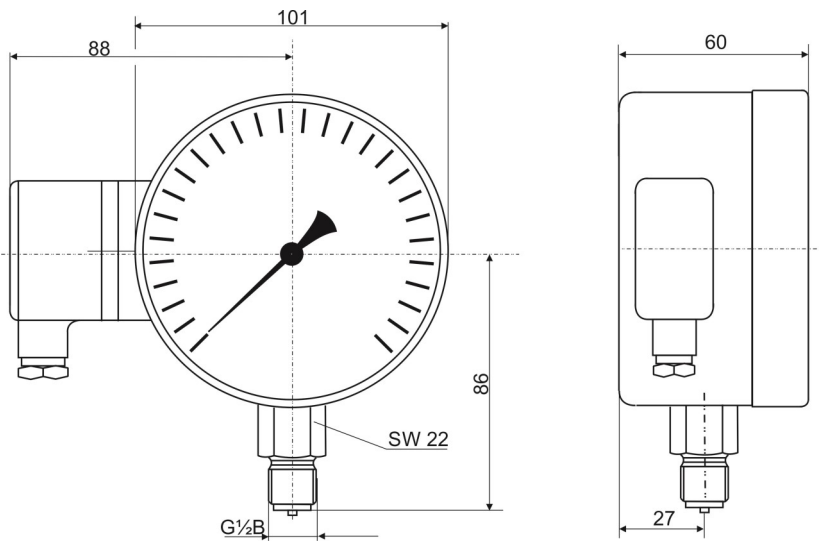


Type	6850		Options
Nominal size	100		NS 160
Version			
Symbol			Front flange
Output signal	4...20 mA, 2-wire		0...20 mA, 3-wire 0...5 VDC, 3-wire 0...10 VDC, 3-wire
Accuracy	Cl. 1,0 according to DIN EN 837-1		
Ranges	0...2,5 bar up to 0...400 bar, -1/+3, -1/+5, -1/+9, -1/+15, -1/+24 bar		MPa, kPa
Application	Constant load: full scale value Alternating load: 0,9 x full scale value Short time: 1,3 x full scale value		
Case	1.4301, with blow-out plug for the case of pressure build-up inside Safety disconnection wall between measuring element and dial		Liquid filling silicone oil
Ring	Bayonet, stainless steel		
Connection material	Stainless steel, SW 22		
Thread	G 1/2 B, connection position bottom		Others on request
Window	Laminated glass		
Wetted parts	CrNi-Stahl, O-Ring Viton		
Dial	Aluminium white, scale and lettering		Special scale
Pointer	Aluminium black		
Sensor element	Stainless steel measuring cell, thin film technology		
Repeatability	< 0,05% of full scale value		
Stability per year	< 0,2 % of full scale value in rated conditions		
Electr. Connection	Junction box with screwing Pg 13,5		
Power supply	12...30 VDC (14...30 VDC for output 0...10 V)		
Power consumption	Output 4...20 mA: signal power Voltage output (V): 8 mA		
Permissible load	Power 2-Leiter: $R_{max} = ((UB - UB_{min}) / 0,02 \text{ Ohm})$, Voltage: $R_{min} = 10 \text{ K Ohm}$		
Electrical protection	Short-circuit resistance : S+ gegen U-; reverse polarity protection U+ gegen U-		
CE conformity	Pressure equipment directive - 97/23 / EG EMC directive - interference emission and interference immunity (industrial area) according to EN 61 326		
Temp.-comp. range	-28...82°C		
Temp. Influence	0,3% / 10K, zero point and measuring element 0...50°C		
Response time	< 1ms (from 10% up to 90% of full scale value)		
Temperatures	Medium: -20°C up to +80°C, ambient: -25°C up to +60°C		
Weight	approx. 0,8 kg	approx. 1,8 kg	

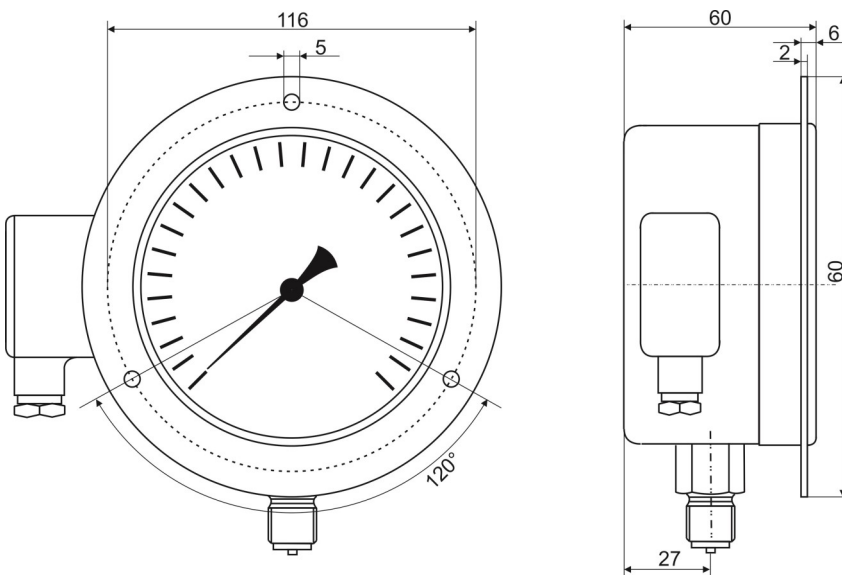
Type 6850

Dimensional drawing

Dimensions in mm

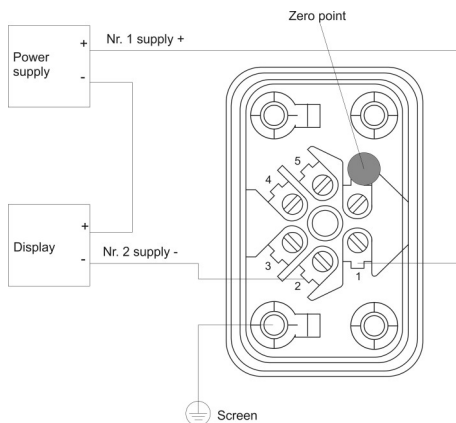


Front flange



Electrical connection

2-wire 4...20 mA



3-wire 0...20 mA / 0...5 V / 0...10 V

