

CONTACT PRESSURE GAUGE
for difficult measuring conditions
Measuring ranges from 250 mbar
with 1 or 2 micro-switches



Nominal size 100
Accuracy class 2,5

The contact pressure gauge is a combined measuring and switch device for pressure measurements under difficult conditions, such as pressure impacts, vibrations, frequent switch processes or high requirements on the switch performance. The device has a long life span.

Applications:
 Pumping drinking water, plant engineering, water management, pneumatic transport systems,



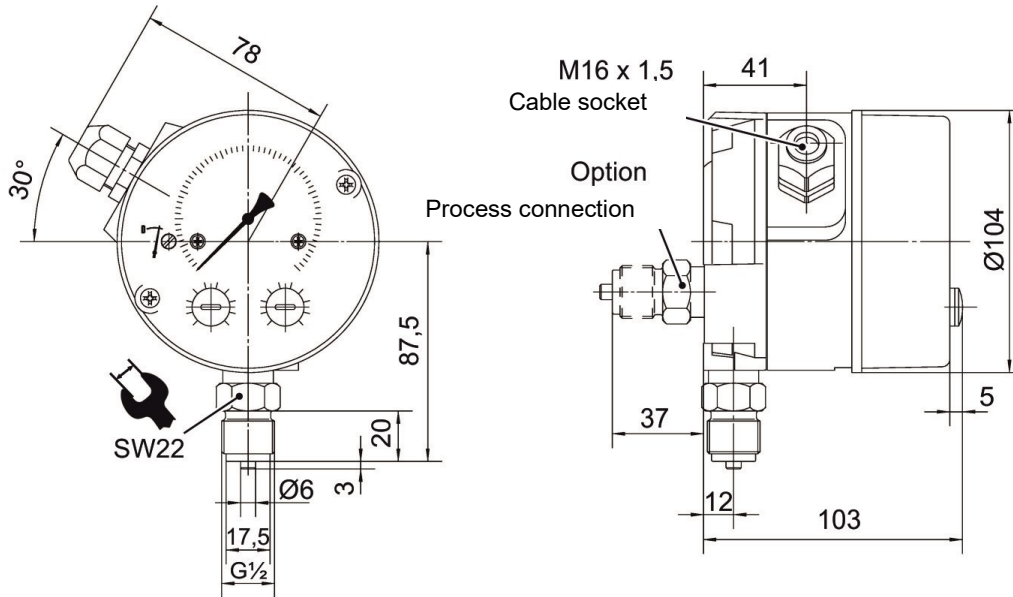
Type	6510	Options
Nominal size	100	
Accuracy class	± 2,5 % of the upper range value	
Measuring ranges	0...250 mbar up to 0...25 bar	
Maximum overpressure	all measuring ranges overpressure safe up to +25 bar	
Case	Cover hood Macrolon	Bayonet 1.4301
Pressure chamber	Aluminium, black painted (measuring range up to ≤0...16 bar)	Aluminium with HART-COAT®-protection, stainless steel
Process connection	G½B bottom DIN EN 837	G½B back = type 6520
Connection material	Brass (CuZn40)	Stainless steel (pressure chamber stainless steel)
Measuring diaphragm	NBR	VITON®, Inconel 718
Seals	NBR	VITON®
Window	Macrolon	Safety glass in bayonet case
Dial, pointer	Aluminium	
Protection class	IP55	IP65 (bayonet case and cable socket)
Temperatures	Medium: -10...+70°C Ambient: -10...+70°C, Storage: -15...+75°C	
Weight	approx.. 1,2 kg	Pressure chamber made of stainless steel approx. 3,5 kg
Output parameters	1 micro-switch, changeover contact Switching point setting - can be set of reference from outside Smallest setable value: 5% of the upper range value Switch hysteresis: 2,5 % of the upper range value	2 micro-switches
Per contact	AC Umax.=250 V, Imax.=5 A, Pmax.=250 VA DC Umax. =30 V, Imax. =0,4 A, Pmax.=10 W	
Electrical connection	Cable socket	Cable 1,0, 2,5 or 5 meters permanently wired, 7-pin plug connection
Mounting optional	3 Mounting brackets for wall mounting, Front edge for panel mounting for version IP55 or IP65	

Type 6510, 6520

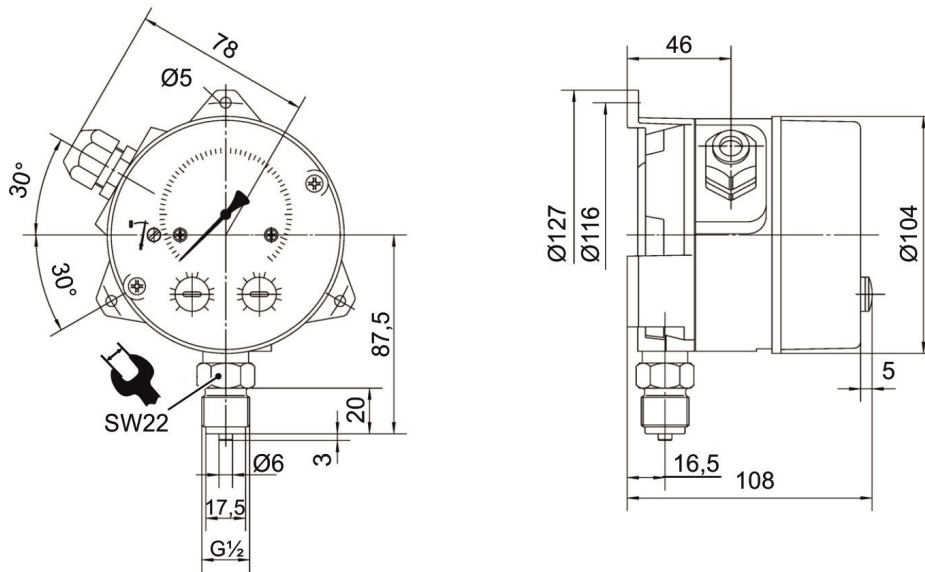
Dimensional drawings, Dimensions in mm
 Pressure chamber made of Aluminium



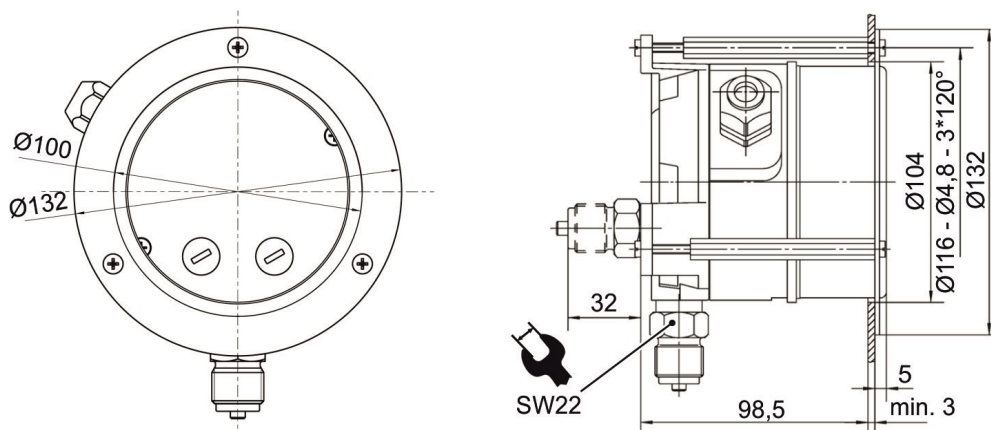
Version IP 55 with cable socket



Version IP55 with cable socket and mounting brackets



Version IP55 for panel mounting

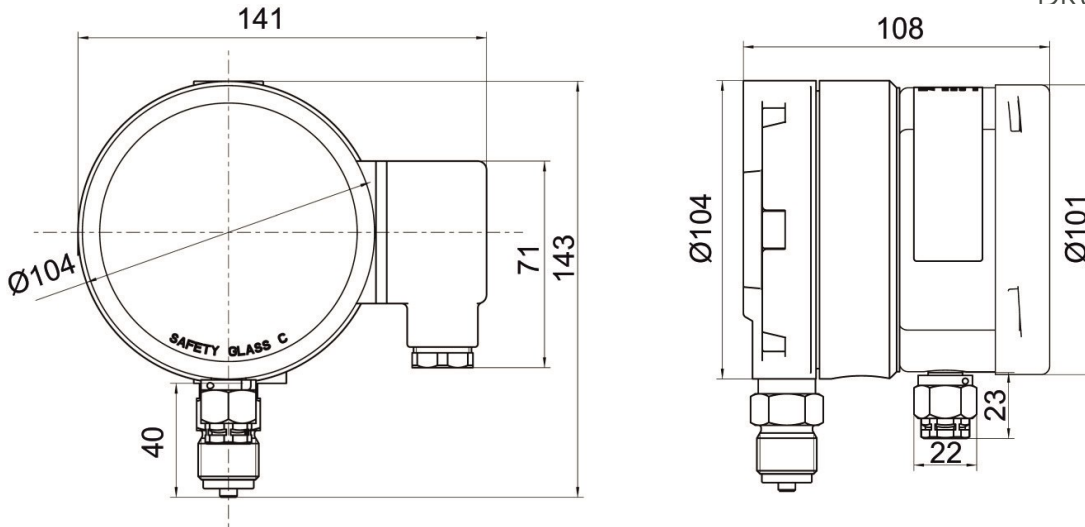


Type 6510, 6520

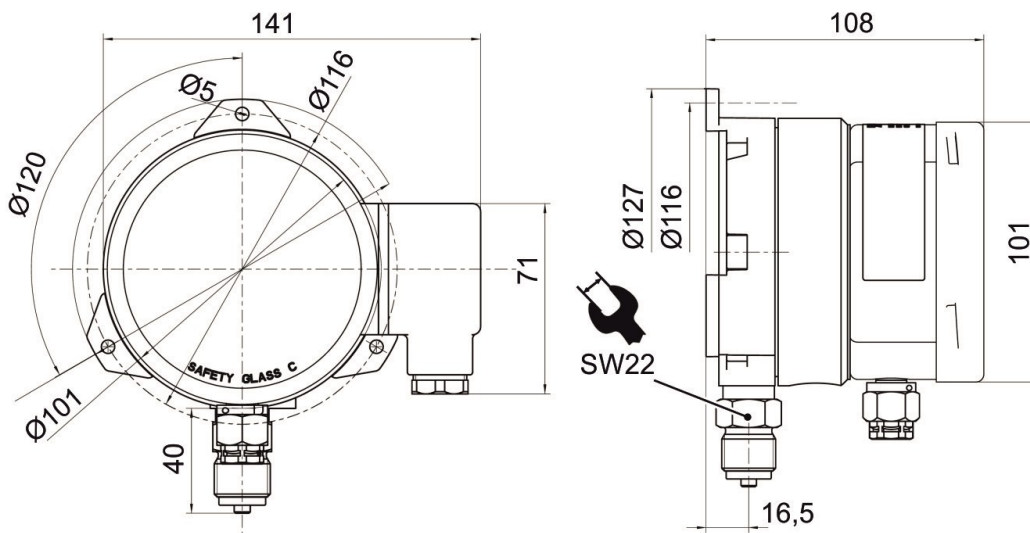
Dimensional drawing, Dimensions in mm
 Option bayonet case, pressure chamber made of Aluminium



Version IP 65 with cable socket



Version IP65 with cable socket and mounting brackets



Version IP65 for panel mounting

