

ABSOLUT PRESSURE GAUGE WITH DIAPHRAGM

Chemical execution



DRUCK & TEMPERATUR

The absolute pressure gauge is suitable for measuring liquids and gases (with open measuring flange also suitable for viscous media). The device is fitted with a vacuum chamber, which is sealed off from the process by a diaphragm. Absolute pressures can be measured (independent from atmospheric pressure).



Applications

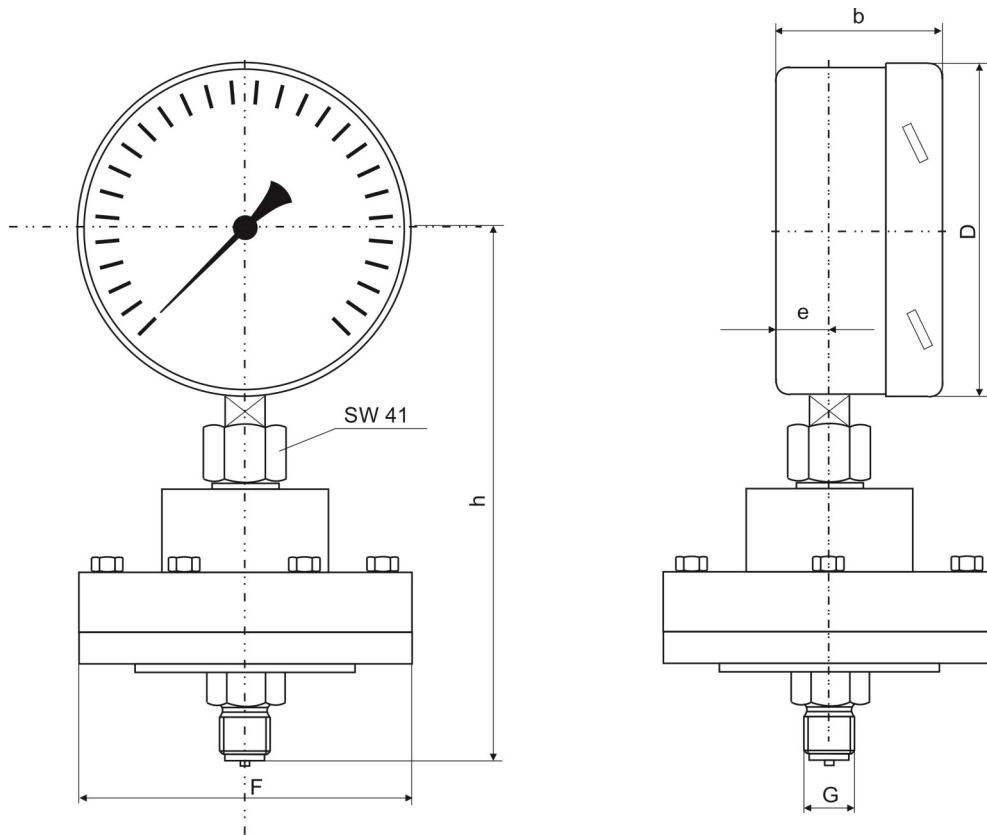
general process technology
Machinery and plant engineering
Chemical / Petrochemical industry
Shipping

Type	6400	Options
Nominal size	100	NS 160
Accuracy	Class 1,6 acc. to DIN EN 837-3	
Temperature effect	max. $\pm 0,8\%$ / 10K of display area	
Measuring ranges	0...60 mbar abs up to 0...2500 mbar abs	others on request
Overload protection	0...60 up to 0...250 mbar abs; up to 5 bar overload-proof 0...400 up to 0...2500 mbar abs; up to 10 bar overload-proof	
Case	Bayonett case stainless steel 1.4301 with blow out back and ventilation valve on top of the case acc. to EN 837-1 S1	Safety case with blow-out back and solid baffle wall acc. to EN 837-1 S3
Case filling	without	Case filling glycerine-water-mixture
Measuring element	Diaphragm of Duratherm	
Measuring flange	$\varnothing 160$ mm: measuring ranges 0...60 up to 0...250 mbar abs $\varnothing 100$ mm: measuring ranges 0...400 up to 0...2500 mbar abs	
Process connection	G 1/2 B bottom, 1.4571	1/2"NPT, open measuring flange DN25, DN40, DN50; others on request
Window	Laminated safety glass	Macrolon
Movement	Stainless steel	
Dial	Aluminium white, scale and lettering black	Red mark or fixed reference pointer
Pointer	Aluminium black with micro adjustment device for zero point correction	Drag pointer, adjustable reference pointer
Temperatures	Ambient: -20...70°C Medium : -20...110°C (filled devices ...70°C) Storage: -40...70°C	extended temperature range on request
Protection class	IP65	Filled with S3 case: IP66
Weight ca. in kg	Flange $\varnothing 100$ 2,2 kg (filled 2,5 kg) Flange $\varnothing 160$ 3,8 kg (filled 4,1 kg)	NS 160 Flange $\varnothing 100$ 2,6 kg (filled 3,3 kg) Flange $\varnothing 160$ 4,2 kg (filled 4,9 kg)
Additional options	Ex-protection (ATEX), material certificate, calibration certificate	

Type 6400

Dimensional drawing Dimensions in mm

Standard execution in S1 case



6400	D	F	b	e	h	G
NS 100	100	100 (small measuring flange) 160 (large measuring flange)	59	21	176	G1/2B
NS 160	160		59	21	208	G1/2B

Other dimensions (b and e) with execution in S3 case.