

BORDON TUBE PRESSURE GAUGES HIGH-TEMPERATURE 300°C CHEMICAL VERSION



DRUCK & TEMPERATUR

Nominal size 63, 100, 160

Connection position radial bottom or eccentric back

For pressure measurement under harsh operating conditions in production plants in the chemical industry and other comparable branches of industry.

Due to the use at high media temperatures, filling the devices is not possible.

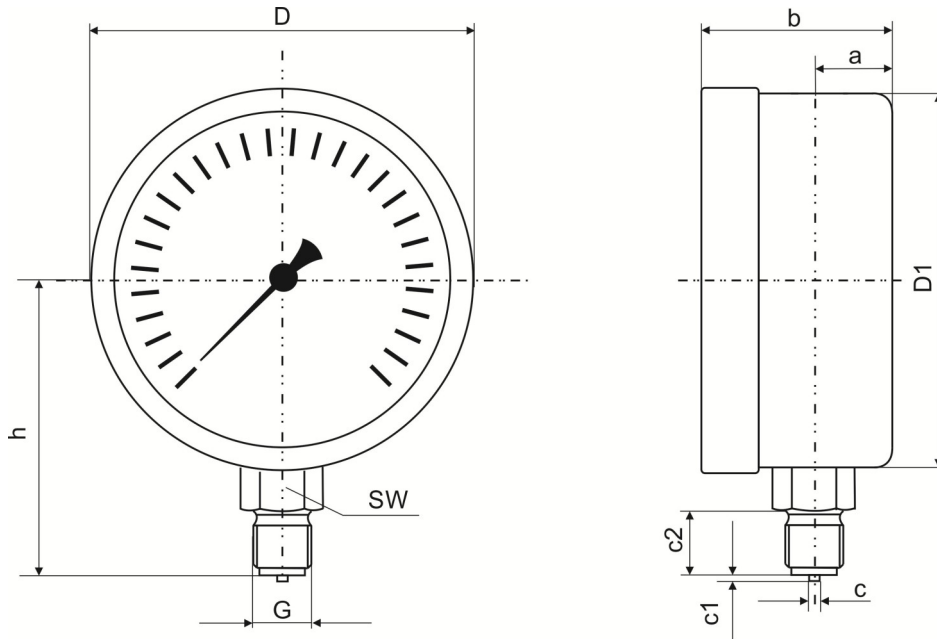


Type	6322	6323	6324	6328	6315	6317	Options
Diameter	63	63	100	100	160	160	
Medium-temperature	up to 300°C						
Symbol							
Connection position	radial bottom	eccentric back	radial bottom	eccentric back	radial bottom	eccentric back	
Accuracy	Cl. 1,6 / 2,5 from 600 bar		Cl. 1,0				
Measuring ranges	0,6...1000 bar negative and/or positive overpressure		0,6...1600 bar, negative and/or positive overpressure				
Application	Contant load : full scale value Alternating load: 90% of full scale value Overpressure: max. 130% of full scale value						1,5, up to 2,0 fold
Case	Stainless steel 1.4301 with blow-out				1.4301, with Blow-out screwing		
Ring	Stainless steel, 1.4301, bayonet						
Measuring element	316L (1.4404)						
Connection	316L (1.4404)						
Thread	G1/4B, M12x1,5		G1/2B, M20x1,5				Others on request
Window	Tempered glass						
Movement	Stainless steel						
Dial	Aluminium, scale and lettering black						Special scale, double scale
Pointer	Aluminium black						Max. indicator mark pointer
Temperatures	Ambient -40°C up to +60°C						
Mounting opt.	Rear flange or front flange						
Protection	IP 54						
approx. weight	0,18 kg	0,18 kg	0,6 kg	0,6 kg	1,0 kg	1,0 kg	

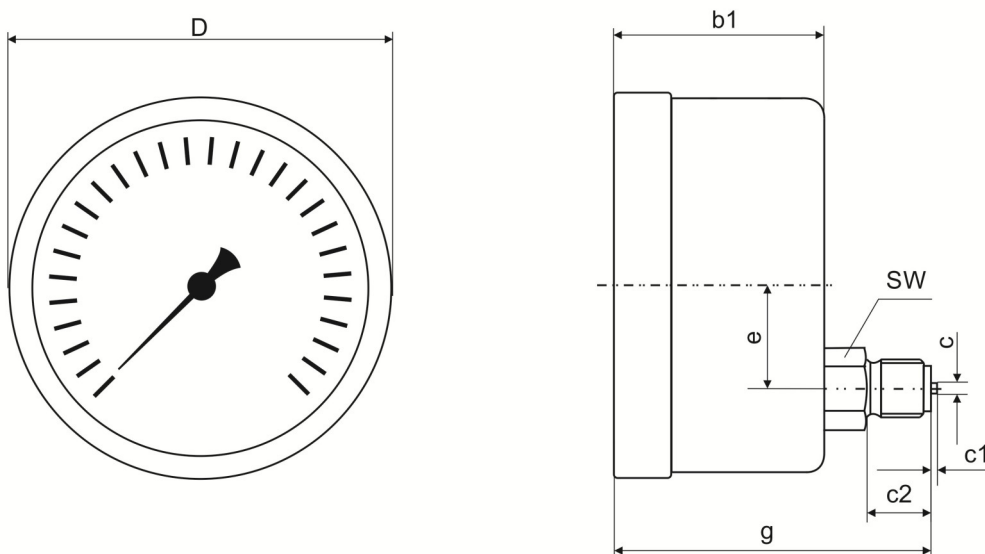
Dimensional drawing

Dimensions in mm

Type 6322, 6324, 6315



Type 6323, 6328, 6317



Type	NS	D	G	SW	b	b1	a	h	D1	c	c1	c2	e	g
6322	63	64	G 1/4 B	14	33		10	54	62	5	2	13		
6323	63	64	G 1/4 B	14		37				5	2	13	18	59
6324	100	101	G 1/2 B	22	55		20	87	99	6	3	20		
6328	100	101	G 1/2 B	17		55				6	3	20	30	97
6315	160	161	G 1/2 B	22	55		15	115	159	6	3	20		
6317	160	161	G 1/2 B	17		55				6	3	20	30	92,5