

DIFFERENTIAL PRESSURE GAUGES WITH CAPSULE ELEMENT



Diameter 63, 100, 160
Accuracy class 1,6



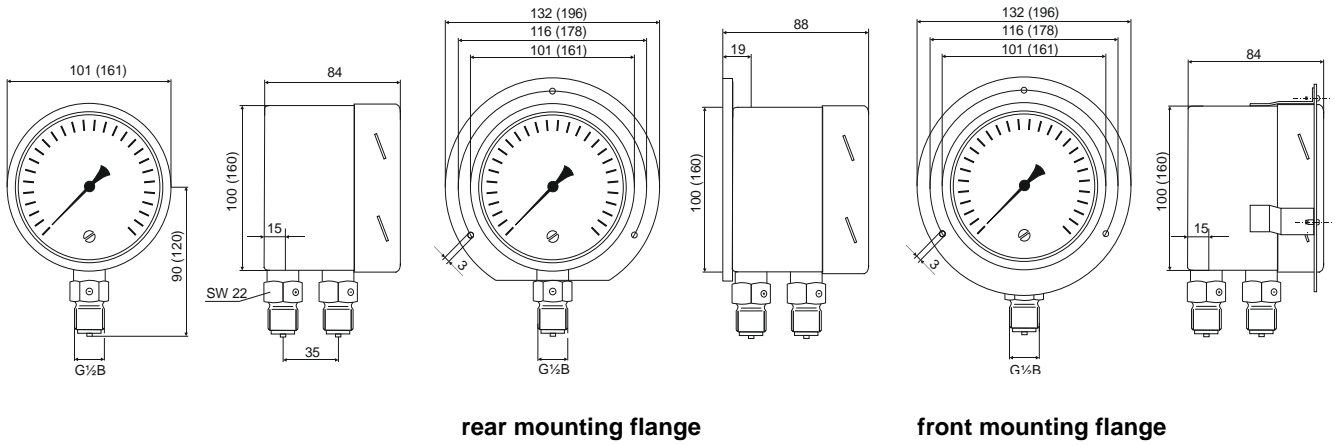
Differential pressure gauges, high reliability and long term stability for use in the plant, laboratory and for filter monitoring. Suitable for all gaseous, non-aggressive and dry media that do not attack the measuring system and do not crystallize.

Type	5905	5906	5910	5911	Options
Diameter	100		160		63 (only axial)= BR 5909
Symbol					
Accuracy class	1,6				
Ranges	0-2,5 up to 0-400 mbar		0-2,5 up to 0-250 mbar		0-400 mbar or 0-600 mbar
Perm.stat.pressure	max. 400 mbar		max. 250 mbar		
Application	Differential pressure: max. full scale value one.sided load max. full scale value				
Case	Stainless steel 1.4301				
Ring	Stainless steel 1.4301, bayonet ring				rear flange or front flange
Window	Acrylic glass				Polycarbonate
Dial	Aluminium white, Scale black				Special scla
Pointer	Aluminium black				
Movement	Brass/ german silver				Stainless steel
Diaphragm capsule	copper / beryllium alloy				Stainless steel
Connection thread	2 x G 1/2 B				M20 x 1,5; 1/2"NPT, 2 x 8/6 tube connections
Conn.thread material	Brass				Stainless steel
Connection position	bottom	back	bottom	back	
Seal	NBR				FPM
Zero-Point adjustment	Aluminium, frontside				Stainless steel in front
Temperature limitation	Reference temperature: +20°C Ambient temperature: max. -20°C up to +60°C Medium temperature: +70°C The error caused by temperature differering from +20°C (+68°F) is significat (up tu ±0,6% of the span per each 10 K).				
Protection	IP66				
Approx. weight	0,74 kg		1,30 kg		NG 63 - 0,30 kg

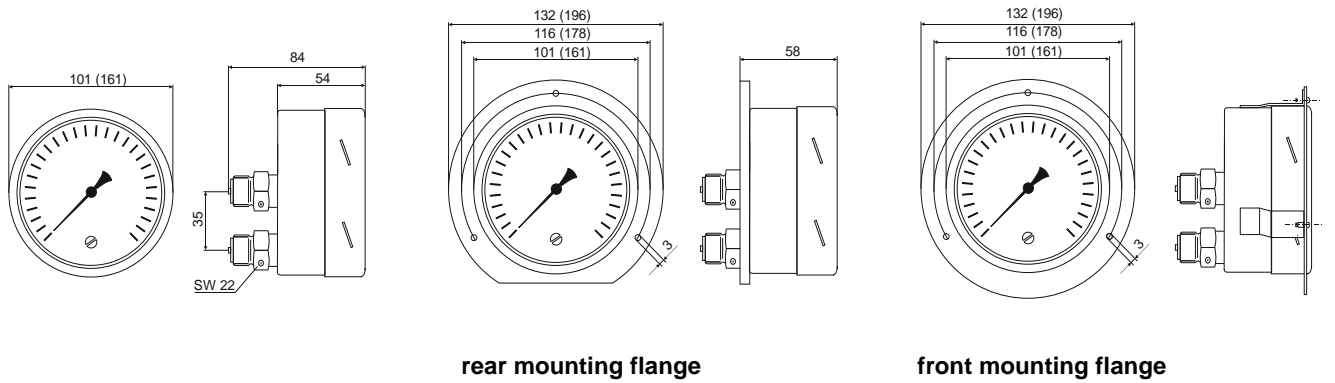
Dimensioned drawings

Dimensions in mm data (*) for pressure gauges diameter NG160

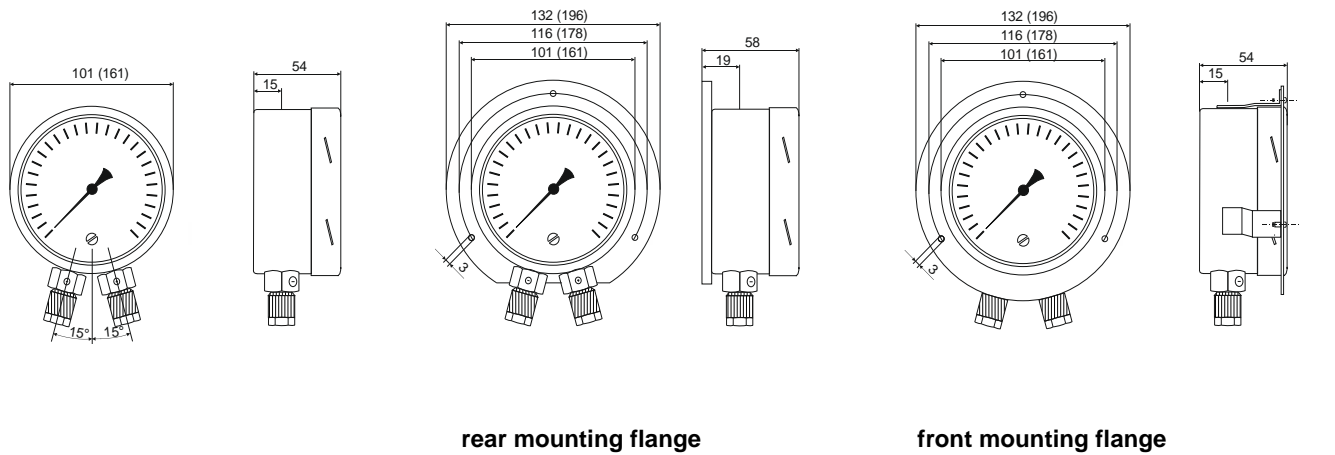
Connection position parallel one behind the other



Connection position back one above the other



Connection position bottom in angle 30°, 8/6 Tube connections



Other constructive versions (higher ranges) on request!