

**DIFFERENTIAL PRESSURE GAUGES
WITH 2 BOURDON TUBES AND 1 POINTER**
Versions in brass or stainless steel
Connection 2 x parallel (one behind the other)



Nominal size 100 and 160
Accuracy class 1,6
DIN EN 837-1

Differential pressure gauges with 2 bourdon tubes are low-priced devices for measuring two different pressures with direct display of the differential pressure.

For pressure measurements of neutral gases and liquids, for example on heating systems (flow and return) or on filter systems.



Type	5639	5640	5637	5638	Options
Nominal size	100		160		
Symbol					with electrical contacts (Limit switch)
Accuracy	Class 1,6				
Measuring ranges	0...1 bar up to 0...600 bar				
Applications	Constant load: full scale value Alternating load: 0,9 x full scale value				other static pressures on request
Maximum static pressure: 1 pressure level higher than display	Range	max. stat. pressure			
	0...1 bar	1,6 bar			
	0...1,6 bar	2,5 bar			
	0...2,5 bar	4 bar			
	0...4 bar	6 bar			
	0...6 bar	10 bar etc.			
Case	CrNi-Stahl 1.4301, Blow-out				with filling (glycerine)
Bayonet ring	CrNi-Stahl 1.4301				
Process connection	2 x G1/2 B, marking + (high pressure) and - (low pressure)				M20x1,5, 1/2"NPT Orifice Ø 0,3; 0,6; or 0,8 mm
Wetted parts					
Connection	Brass	1.4404 / 1.4571	Brass	1.4404 / 1.4571	
Bourdon tube	≤ 40 bar Bronze ≥ 60 bar 1.4404	1.4404 / 1.4571	≤ 40 bar Bronze ≥ 60 bar 1.4404	1.4404 / 1.4571	
O-ring sealing	Viton	NBR	Viton	NBR	
Window	Instrumental glass	Laminated safety glass	Instrumental glass	Laminated safety glass	Laminated safety glass type 5639, 5637
Movement	Brass and German silver				
Dial	Aluminium white, scale black				Special scale
Pointer	Aluminium black				
Protection	IP54 DIN EN 60 529/IEC 529				IP65 (with filling)
Temperatures	without filling	storage: -40°C bis +70°C, ambient: -40°C bis +60°C			
	with filling	storage: -20°C bis +70°C, ambient: -20°C bis +60°C			
Temperature Medium	≤ 40 bar +60°C ≥ 60 bar +100°C	bis +100°C	≤ 40 bar +60°C ≥ 60 bar +100°C	bis +100°C	Med.-temp. filled devices up to +80°C, option up to +100°C
Temperature drift	up to 0,4% at 10 K deviation of reference temperature 20°C				
Mounting optional	Rear mounting (flange back) or front mounting (front ring)				

Type 5637, 5638, 5639, 5640

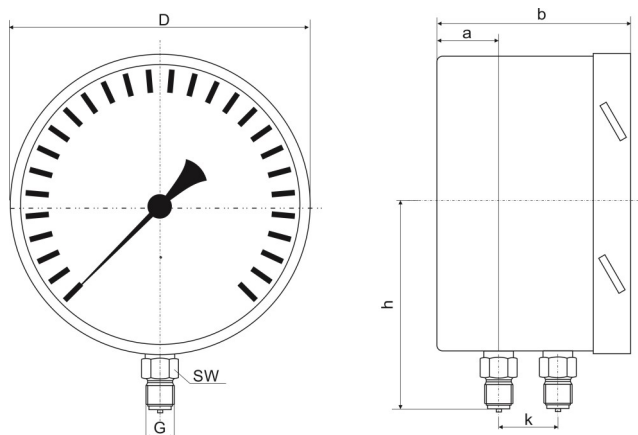
Dimensional drawing

Dimensions in mm



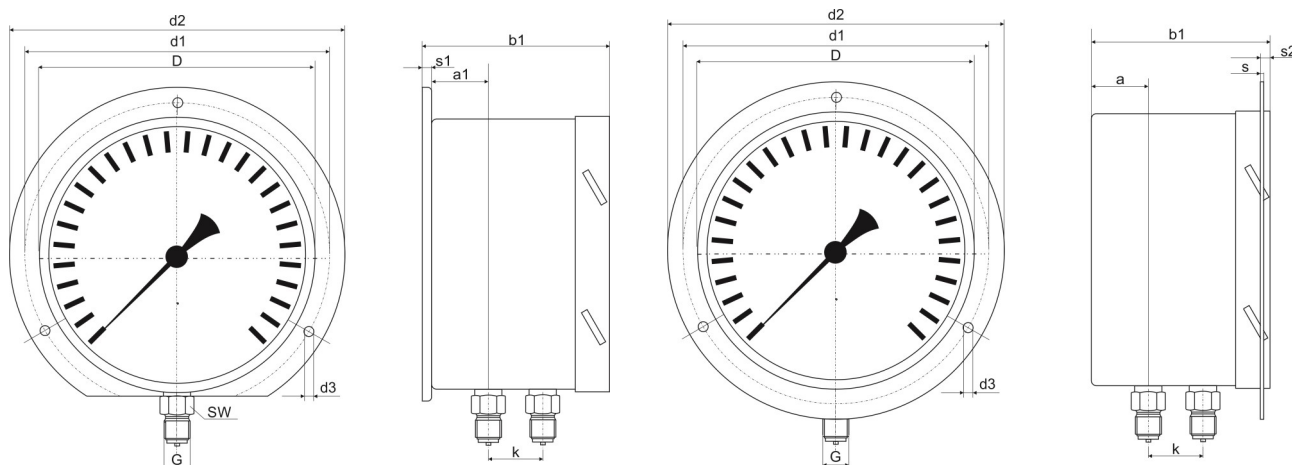
DRUCK & TEMPERATUR

Type 5637, 5638, 5639, 5640



Flange back

Front ring



Front mounting at filled devices: with welded bracket and loose front ring

Type	NG	D	d1	d2	a	a1	b	b1	s	s1	s2	k	d3	SW	G	Weight, without filling and mounting
5637	100	101	116	132	15	19	83	86	2	6	6	32	4,8	22	G 1/2 B	approx. 0,9 kg
5638	100	101	116	132	15	19	83	86	2	6	6	32	4,8	22	G 1/2 B	approx. 0,9 kg
5639	160	161	178	196	33	37	104	106,5	2	6	6	32	5,8	22	G 1/2 B	approx. 1,5 kg
5640	160	161	178	196	33	37	104	106,5	2	6	6	32	5,8	22	G 1/2 B	approx. 1,5 kg