

**DIFFERENTIAL PRESSURE GAUGE
WITH 2 BOURDON TUBES**
wetted parts in brass or stainless steel
bottom connection one behind the other



Nominal size 100 and 160
Accuracy class 1,6
DIN EN 837-1

Differential pressure gauges with 2 bourdon tubes are inexpensive devices for measuring two different pressures with direct display of the differential pressure. The highest pressure occurring in the system must not be higher than the full scale value! For pressure measurements of neutral gases and liquids, for example on heating systems (flow and return) or on filter systems.



Type	5630	5635	5632	5636	Options
Nominal size	100	160	100	160	
Symbol					Filled case with glycerine or special oil
Accuracy	Class 1,6				
Measuring ranges	0...0,6 - 0...600 bar	0...1 - 0...600 bar	0...0,6 - 0...600 bar	0...1 - 0...600 bar	
Application	Constant load: end of scale value Alternating load: 0,9 x end of scale value Overload capacity: end of scale value				
Case and bayonet ring	1.4301				5630 with stainless steel slip-on ring
Process connection	2 x G1/2 B on behind the other marked with + (higher pressure) and - (lower pressure)				M20x1,5, 1/2NPT others on request
Connection material	Brass		1.4571		
Bourdon tubes	≤ 60 bar bronze - C-form, soft soldered ≥ 100 bar 1.4571 - helical, silver brazed		1.4571		
Sealing	NBR		Viton		
Window	Instrument glass		Laminated safety glass		
Movement	Brass / German silver				
Dial	Aluminium white, scale and lettering black Dial with double scale bar/mWS for the reading of the pressures in each system Add.provided with turnable scale disc bar/mWS for direct indication - positive or negative differentail pressure				
Pointer	1 knife-edge pointer aluminium alloy black and 1 pointer aluminium red fixed to the turnable scale disc				
Protection class	IP 32 (EN 60529/IEC 529) Type 5630 with slip-on ring IP 54 (EN 60529/IEC 529), IP 65 filled devices				
Temperature storage Temp. ambient	-40°C up to +70°C, with glycerine filling -20°C up to +70°C -40°C up to +60°C, with glycerine filling -20°C up to +60°C				
Temperature Medium	max. +60°C (soft soldered) max. +100°C (silver brazed)		max. +100°C		5632, 5636 medium max.+130°C
Temperature drift	Deviation of up to 0.4% at 10 K from the reference temperature of + 20 °C				
Mounting optional	Front mounting flange, rear mounting flange, Filled case versions: mounting brackets welded to the case and a sep. front flange with loose cover				

Type 5630, 5632, 5635, 5636

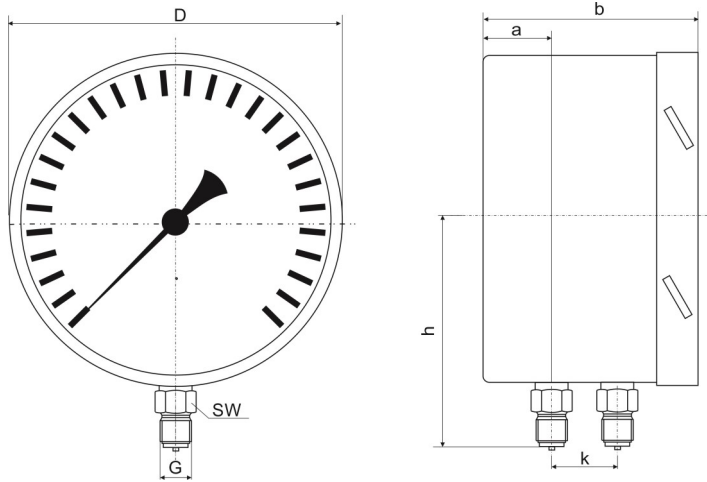
Dimensional drawing

Dimensions in mm



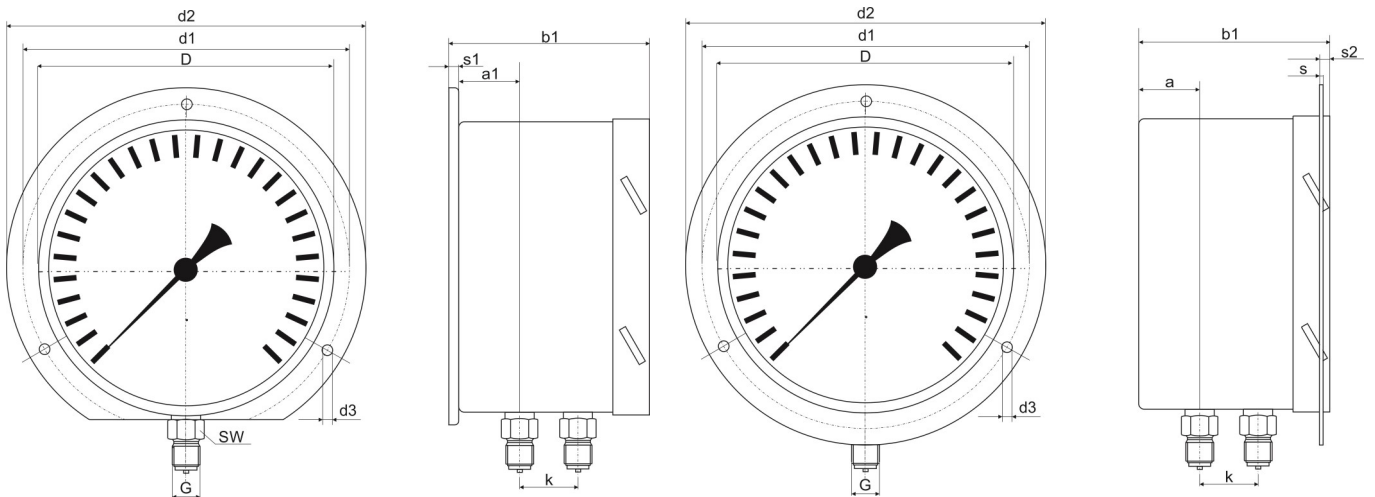
DRUCK & TEMPERATUR

Type 5630, 5632, 5635, 5636



Rear mounting flange

Front flange with long holes attached to the case and a separate cover front flange (case without filling)



Front flange at filled case version:

Mounting brackets welded to the case and a separate front flange (no dimensional drawing).

Type	NS	D	d1	d2	a	a1	b	b1	s	s1	s2	k	d3	SW	G	Weight without filling and mounting device
5630	100	100	116	132	15	19	85	89	2	6	6	32	4,8	22	G 1/2 B	approx. 0,9 kg
5632	100	100	116	132	15	19	85	89	2	6	6	32	4,8	22	G 1/2 B	approx. 0,9 kg
5635	160	160	178	196	33	37	104	106,5	2	6	6	32	5,8	22	G 1/2 B	approx. 1,5 kg
5636	160	160	178	196	33	37	104	106,5	2	6	6	32	5,8	22	G 1/2 B	approx. 1,5 kg