

SHOT-OFF COCK

Version male x female



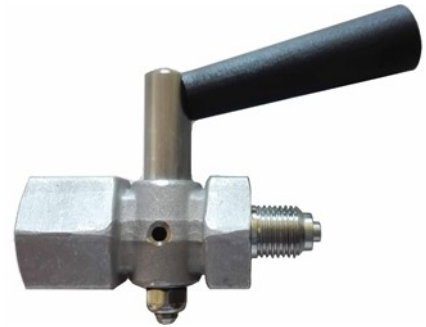
DRUCK & TEMPERATUR

It is recommended to install a barrier between the pressure gauge and pressure line.

Shut-off cocks allow the inspection or replacement of a pressure measuring device without service interruption.

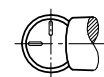
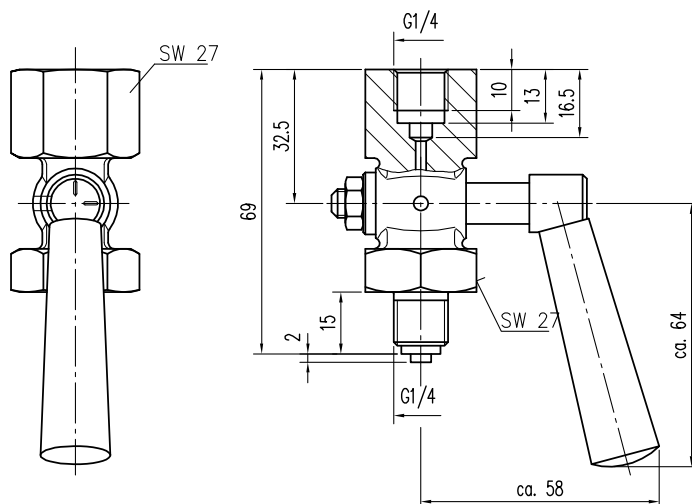
Depending on the position of the plug, the connected device can be vented (ventilation position) or pressured (working position).

In the discharge position the measured medium can escape to the atmosphere.



Type	56 063	Options
Version	Male G1/4 x female G1/4	
Material	1.4571 (Case and plug valve)	Brass, steel
Material handle	Plastic	
Nominal pressure of the pressure gauge	PN 25 (for higher pressures: use shut-off valves)	
Medium temperature	-10°C up to max. 50°C (water from +5°C)	
Connection	G1/4	other on request
Test connection	without	

Dimensional drawing Dimensions in mm



Venting



Operation



Blow out