

**DIFFERENTIAL PRESSURE GAUGE**  
**Industrial version in stainless steel**  
**Connection position one behind the other or side by side**



**Nominal size 100 and 160**  
**Accuracy class 1,6**  
**DIN EN 837-3**

Can be used with gaseous and liquid media (also with chemically aggressive substances).  
 The devices can optionally be manufactured with a signal output (0-20 mA, 4-20 mA) or with a magnetic snap-action contact (single, double or triple).  
 Various fastening options are available for assembly.



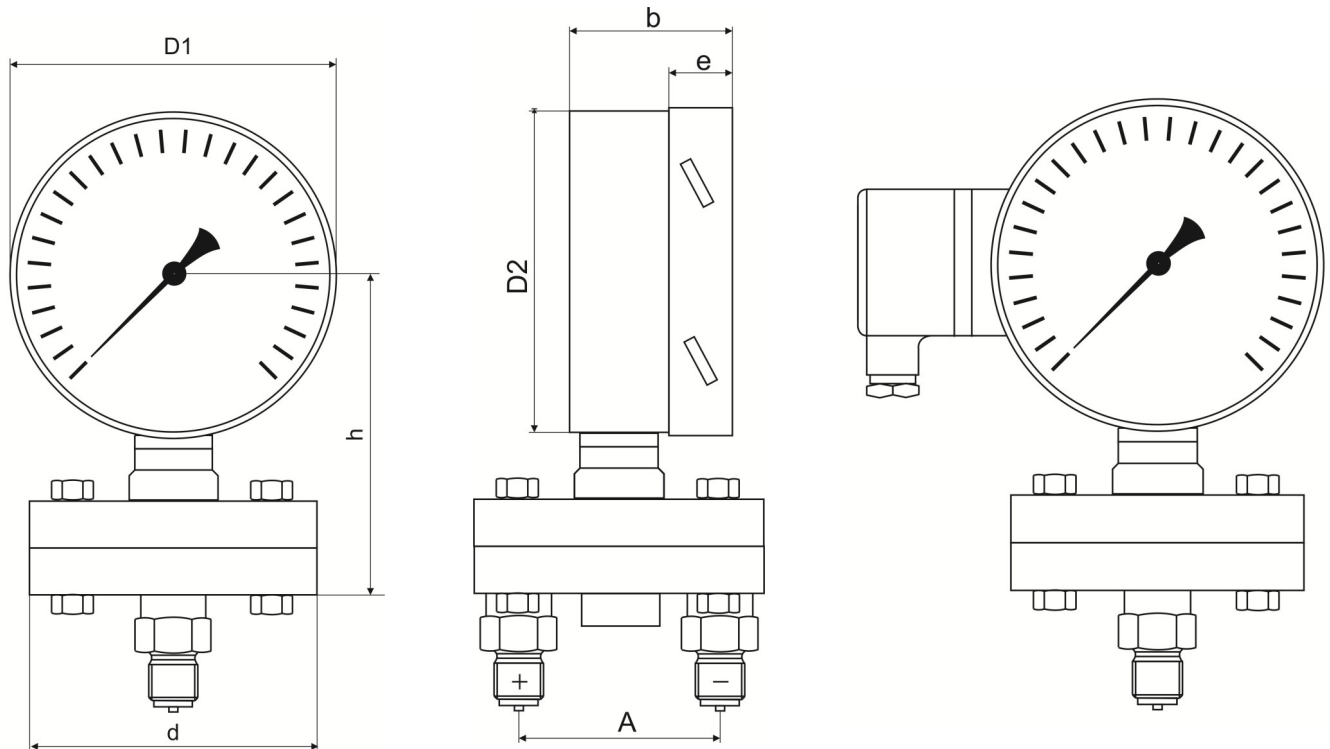
Type	5595	5596	Options
Nominal size	100	160	
Symbol			Output-signal 0-20 mA or 4-20 mA; Magnetic snap action contact (single, double or triple)
Accuracy class	≥ 600 mbar cl.1,6; 100 up to 400 mbar cl. 2,5		
Ranges	0...100 mbar up to 0...25 bar		Plus/minus measuring ranges
Overload protection	maximal static pressure on both sides 25 bar		max. 40 bar
Application	Constant load: end of scale value Alternating load: 0,9 x end of scale value		
Case and bayonet ring	Stainless steel 1.4301		Liquid filling
Process connection	Stainless steel, 2 x G1/2 B one behind the other marked with + (higher pressure) and - (lower pressure)		Connections side by side M20 x 1,5, 1/2"NPT, Cutting ring fitting
Wetted parts	Stainless steel		
Distance between the process connections	54 mm		
Flange	Diameter 90 mm ≥250 mbar ... 25 bar Diameter 120 mm 100 mbar ... 160 mbar Screws stainless steel 4 pc M8 x 16		Vent screws upper and lower flange
Diaphragm	Viton		FKM-Viton
Window	Laminated safety glass		
Movement	Stainless steel 1.4301		
Dial	Aluminium white, scale and lettering black		Special scales
Pointer	Adjustable pointer, Aluminium black		
Protection class	IP 54 acc. to EN 60529/IEC 529 IP 65 acc. to EN 60529/IEC 529 filled devices		
Temperature ambient	-20°C up to +60°C		
Temperature medium	-20°C up to +140°C		
Mounting options	Welded bridge for pressure gauge holder Separatly bridge for pressure gauge holder Wall bracket - 4 factory mounting options (offset by 90 degrees)		

**Type 5595, 5596**

## Dimensional drawings

Dimensions in mm

### Type 5595, 5596



Option: with output signal

Type	NS	D1	D2	d	h±2	A	b	e	G
<b>5595</b> Flanschmaß d=120	100	101	99	115	111	54	50	19,5	G 1/2 B
<b>5595</b> Flanschmaß d=90	100	101	99	83	111	54	50	19,5	G 1/2 B
<b>5596</b> Flanschmaß d=120	160	161	159	115	143	54	50	19,5	G 1/2 B
<b>5596</b> Flanschmaß d=90	160	161	159	83	143	54	50	19,5	G 1/2 B

Type	NS	Weight, without filling and mounting	Weight with filling, without mounting
<b>5595</b> Flange d=120	100	approx. 3,1 kg	approx. 3,3 kg
<b>5595</b> Flange d=90	100	approx. 2,1 kg	approx. 2,3 kg
<b>5596</b> Flange d=120	160	approx. 3,4 kg	approx. 3,7 kg
<b>5596</b> Flange d=90	160	approx. 2,4 kg	approx. 2,7 kg

Type 5595, 5596

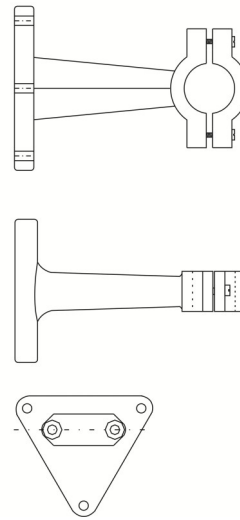
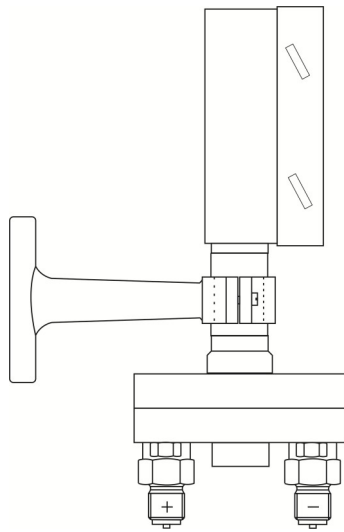
## Options for wall mounting

Dimensions in mm



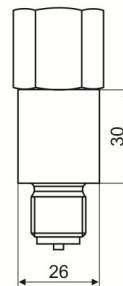
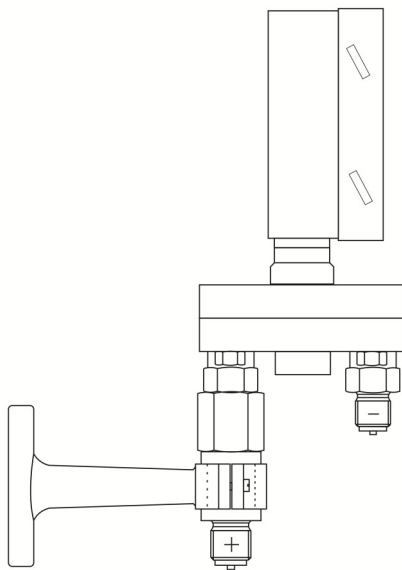
DRUCK & TEMPERATUR

### Welded bridge for pressure gauge holder

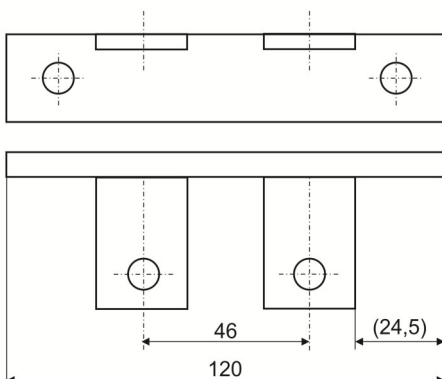


**Pressure gauge holder**  
Dimensions at separately  
datasheet (pressure acces-  
sories)

### With separatly bridge for pressure gauge holder



### Wall bracket - 4 factory mounting options (offset by 90 degrees)



## SUKU Druck- und Temperaturmesstechnik GmbH

Garnsdorfer Hauptstraße 109 • 09244 Lichtenau / Sachsen - GERMANY  
Tel.: +49 37208 / 2717 • Fax: +49 37208 / 61713 • contact@suku.de • www.suku.de