

DIFFERENTIAL PRESSURE GAUGE WITH DIAPHRAGM MEASURING SYSTEM

Prozess connection 2 x G1/4 fem. one behind the other



DRUCK & TEMPERATUR

Nominal size 100
Accuracy class 2,5
DIN EN 837-3

The differential pressure measuring are suitable for overpressure, underpressure and differential pressure measurements in industrial and sanitary measuring technology. They are suitable for liquid and gaseous media that are not aggressive, highly viscous or crystallizing.

Areas of application: heating systems (flow and return), monitoring of filters, compressors and fans



Type	5590	Options																
Nominal size	100																	
Symbol																		
Accuracy	± 2,5 % FS																	
Measuring ranges	0...400 mbar up to 0...25 bar																	
Max. static operating pressure	<table border="1"> <thead> <tr> <th>Range</th> <th>Max. static operating pressure</th> </tr> </thead> <tbody> <tr> <td>0...400 mbar</td> <td>6 bar</td> </tr> <tr> <td>0...0,6 bar</td> <td>10 bar</td> </tr> <tr> <td>0...1 bar</td> <td>16 bar</td> </tr> <tr> <td>0...1,6 bis 0...25 bar</td> <td>25 bar</td> </tr> <tr> <td>-0,6...0 bar</td> <td>10 bar</td> </tr> <tr> <td>-1...0 bar</td> <td>16 bar</td> </tr> <tr> <td>-1...0,6 bis -1...5 bar</td> <td>25 bar</td> </tr> </tbody> </table>	Range	Max. static operating pressure	0...400 mbar	6 bar	0...0,6 bar	10 bar	0...1 bar	16 bar	0...1,6 bis 0...25 bar	25 bar	-0,6...0 bar	10 bar	-1...0 bar	16 bar	-1...0,6 bis -1...5 bar	25 bar	
Range	Max. static operating pressure																	
0...400 mbar	6 bar																	
0...0,6 bar	10 bar																	
0...1 bar	16 bar																	
0...1,6 bis 0...25 bar	25 bar																	
-0,6...0 bar	10 bar																	
-1...0 bar	16 bar																	
-1...0,6 bis -1...5 bar	25 bar																	
Max. pressure load	one-sided overpressure protected up to nominal pressure on (+) and (-) side of diaphragm, partial vacuum protected																	
Pressure chamber	Aluminium, varnished black	Al with HART-COAT® surface protection or stainless steel 1.4305																
Measuring diaphragm	Range ≤ 10 bar - diaphragm measuring system, diaphragm of reinforced elastomere Range ≥ 16 bar - diaphragm measuring system, diaphragm of DURATHERM®																	
Pressure connection	Female thread G $\frac{1}{4}$	Cutting ring connection for pipe 6,8,10 mm, Male thread G $\frac{1}{4}$ B DIN EN 837																
Material connection	Steel	Brass, 1.4571																
Wetted parts	Stainless steel 1.4310, 1.4305																	
Sealing	NBR or Viton®																	
Window	Macrolon																	
Zero point adjustment	Located in the dial																	
Protection class	IP 54 EN 60529																	
Temp. Ambient	-10°C up to +70°C (max. 55°C in case of SEV-approval)																	
Temp. medium	max. 70°C																	
Weight	Pressure chamber Al: approx. 1,2 kg, Pressure chamber 1.4305: approx. 3,5 kg																	
Mounting optional	3 fastening elements for wall mounting or with front ring Ø 132 mm für panel mounting																	

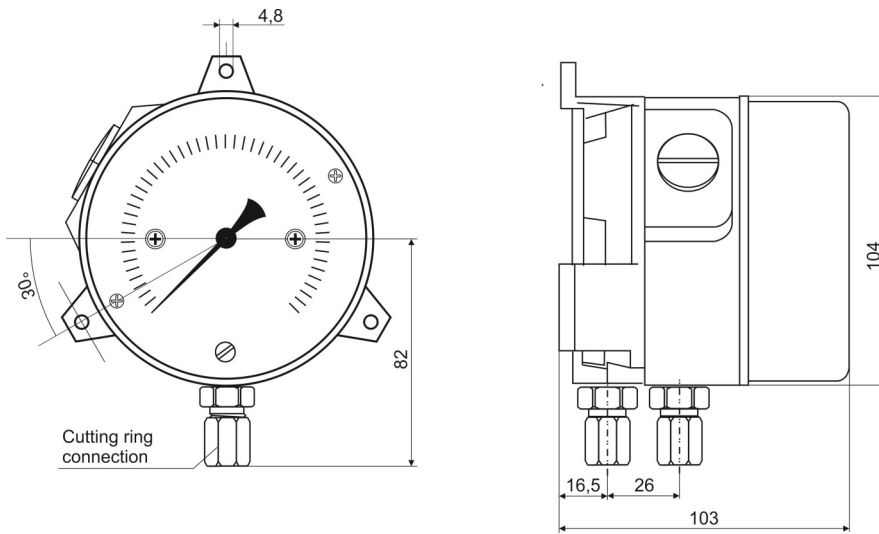
Type 5590

Dimensional drawings type 5590

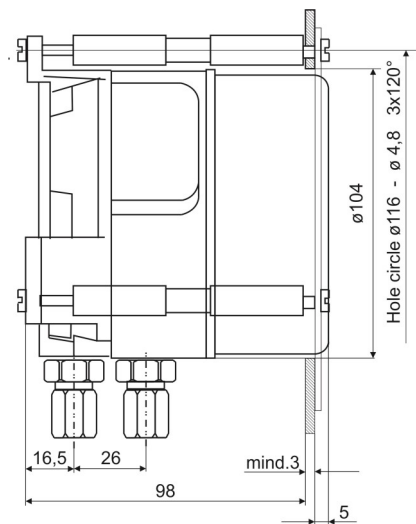
Dimensions in mm



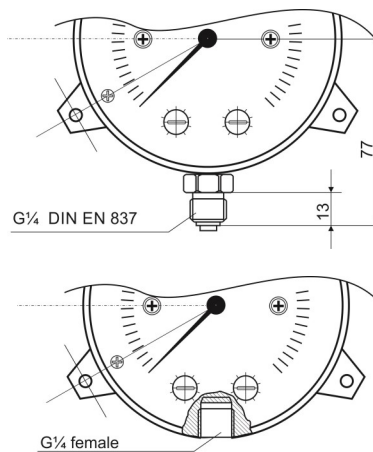
Type with cutting ring connection for pipe, wall mounting



Panel mounting



Process connection



Accessories optional: shut-off valve

