

DIGITAL DIFFERENTIAL PRESSURE SWITCH / TRANSMITTER

with color-change LCD

switchable pressure units



Multifunctional, maintenance-free switchgear with optional transmitter output. It is suitable for measuring positive, negative and differential pressures in gaseous media. Only for coordinated applications!

Application

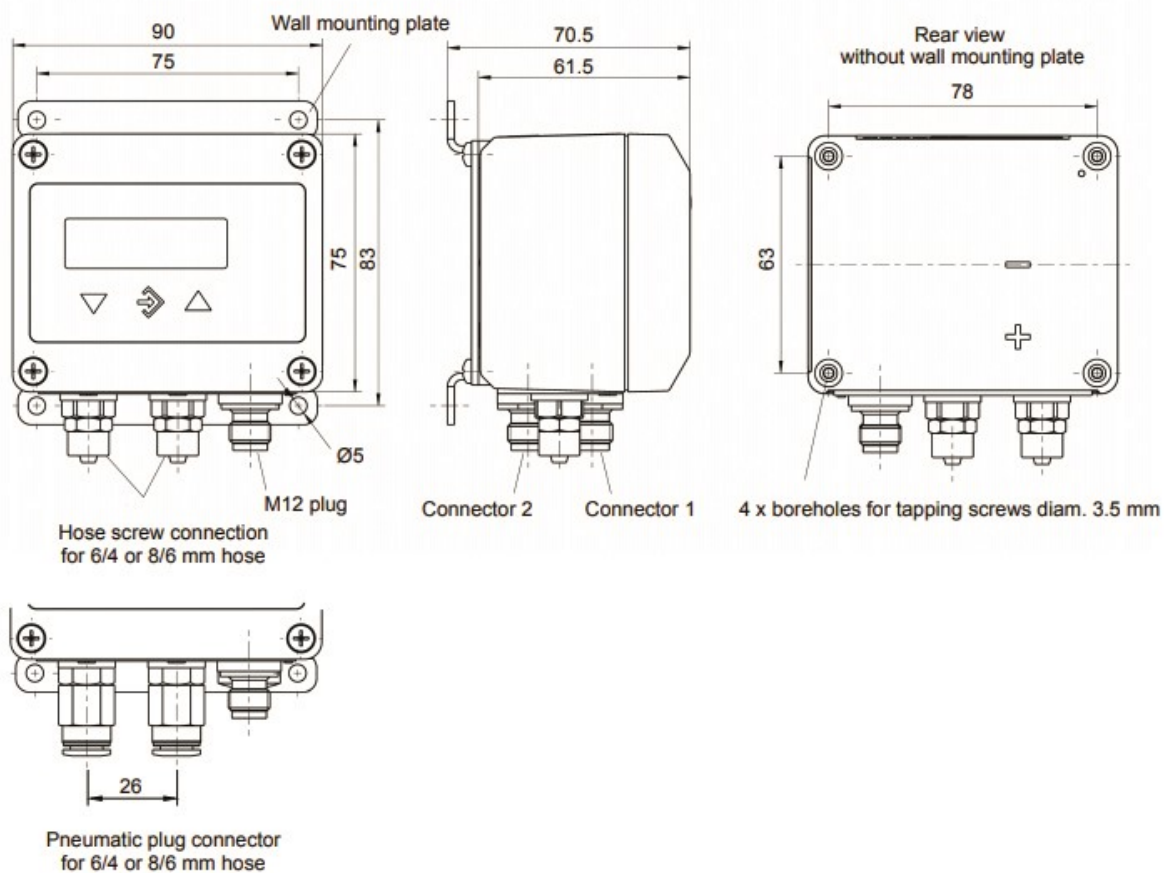
- Filter technology
- Precision air duct measurements
- Clean room pressure equalisation
- Burner vacuum measurement
- Furnace circulating air control



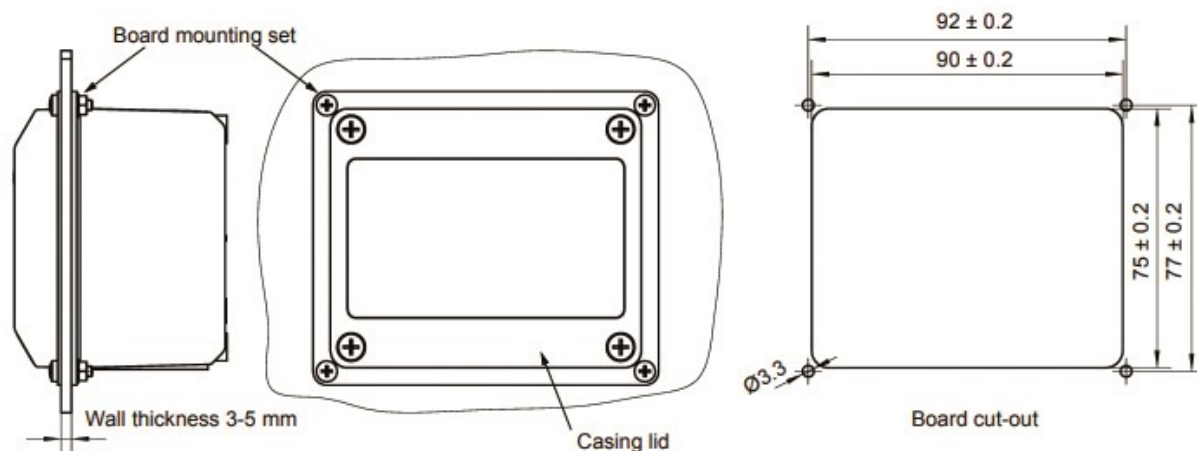
Type	5354		Options
Measuring ranges	0...0,25 mbar up to 0...10 mbar; -0,25...25 mbar up to -1...1 mbar		
Stat. operating pressure	max. 100 kPa		
Burst pressure	max. 170 kPa		
Characteristics deviation	max. 1,0 % FS, typical 0,5 % FS		
Case	Polyamid (PA) 6.6		
Wetted parts	Silicone, PVC, aluminium and brass		
Pressure connections	2 x aluminium hose screw connection for 6/4 hose		for 8/6 mm hose, Pneumatic plug connector for 6/4 or 8/6 mm hose
Temperatures	Ambient / media: -10°C...+70°C, storage: -20°C...+70°C		
Power supply	Rated voltage adm. operating voltage Electrical connection Power consumption	24V _{AC/DC} U _b =20...32 V _{AC/DC} 2 x M12 round plug connector 2,2 W, max. 3,5 W	
Output signal	4...20 mA		0...10 V, 0...20 mA
Switching output	2 potential-free relay contacts		2 potential-free semiconductor switches (MOSFET)
Progr. switching function	Normally open (NO) Normally close (NC)		One-pin activator (NO) One-pin deactivator (NC)
max. switch. voltage	32 V AC/DC		3...32 V AC/DC
max. switch. current	2 A		0,25 A
max. switch. output	64 W (VA)		8 W/ 8 VA; P _{on} ≤ 4 Ω
Display	4...6 digit LCD, full graphic, backlit in colour		
Mounting	by means of holes on the back		Wall mounting plate, panel mounting set
Accessories	see page 3		

Type 5354

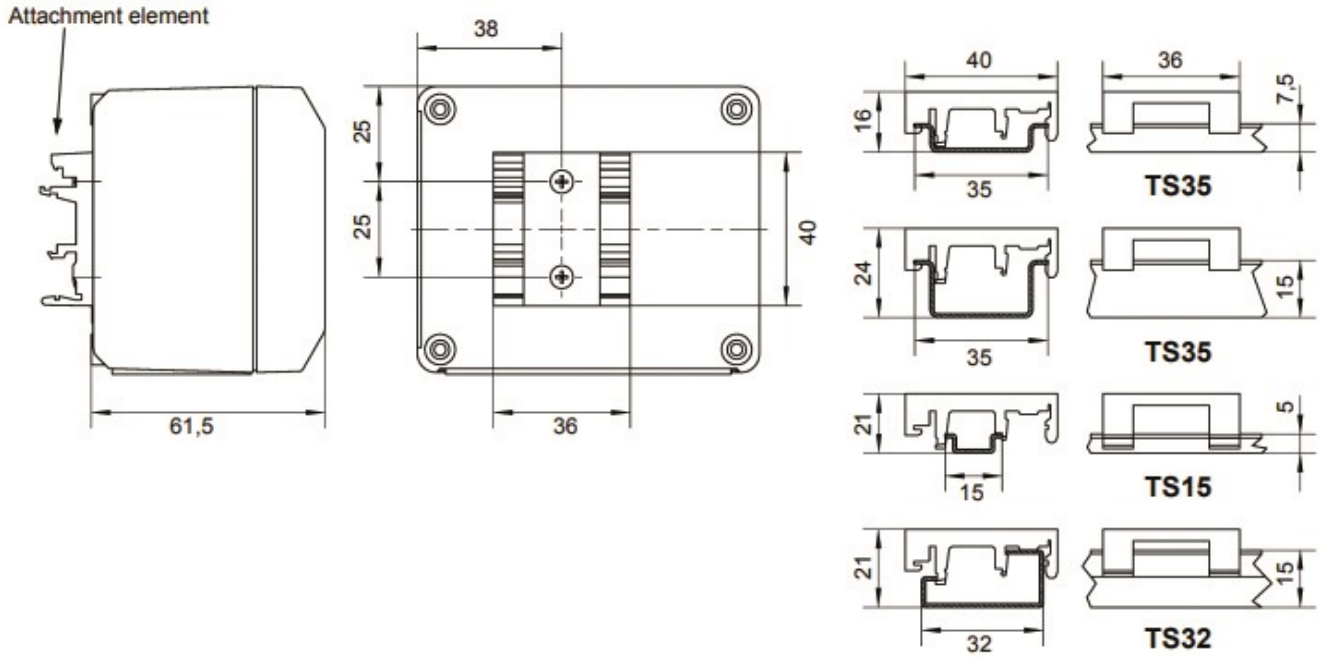
Wall mounting



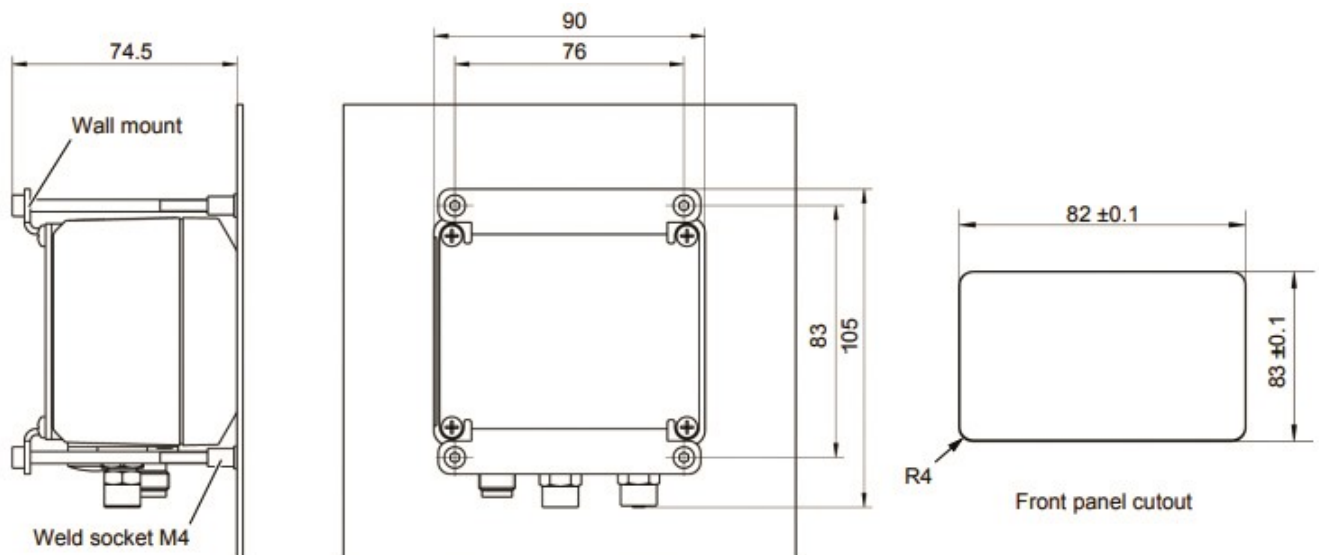
Front panel



Rail mounting

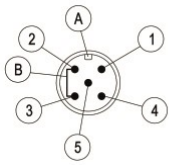


Panel installation (installation ex works)



Electrical connections

Connector 1 - Supply and output signal



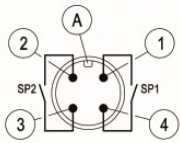
Connector 1 (Supply and output signal)

- A Coding
- B Bridge
- 1 Power supply (+Ub)
- 2 Output (- Sig)
- 3 Power supply (-Ub)
- 4 Output (+ Sig)
- 5 not connected



DRUCK & TEMPERATUR

Connector 2 - Switching outputs



Connector 2 (Switching outputs)

- A Coding
- 1 Switch output 1
- 2 Switch output 2
- 3 Switch output 2
- 4 Switch output 1

Programming via membrane key-switches or by using PC-programming interface

Damping 0,0...100,0 s (step response time 10/90%)

Switching outputs activation point, de-activation point, response time delay (0...1800s), function (normally open, normally close)

Measuring range unit mbar, bar, psi, Pa, kPa, "free unit"

start value, end value and decimal point for "free unit"

Output signal can be set at any point of measuring range

Zero-point stabilisation 0...1/3 of measuring range (measured values around zero are set to zero)

Offset correction $\pm 1/3$ of measuring range (to compensate for different installation positions)

Output characteristic curve linear, square root, table (with 3... 30 support points)

Password 001...999 (000 = no password protection)

Accessories

Transmitter PC Interface incl. PC-Software