

PLUG-ON DISPLAY

for transducers with output signal
4 ... 20 mA / 2-wire or 0 ... 10 V / 3-wire



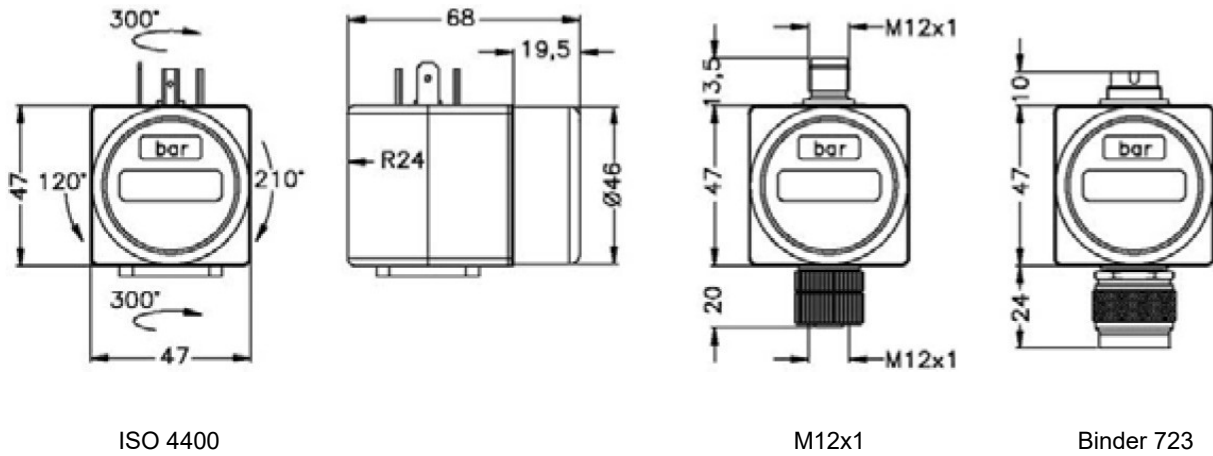
The plug-on display has a 4-digit LED.
The display can be rotated 330 °.
No external power supply is necessary.



Areas of application

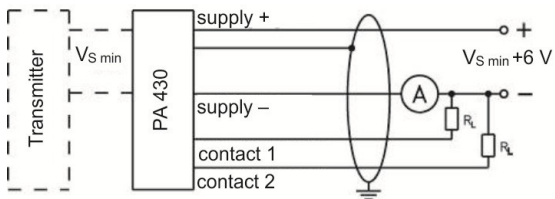
On-site display of pressure, temperature and level

Type	430-420 LED	430-010 LED
Analogue signal	4...20 mA / 2-wire (optionally Ex-protection)	0...10 V / 3-wire
Supply	Supplied by signal current loop Voltage drop $\leq 6V$; $V_s = (V_{T \min} \dots V_{T \max}) + 6V_{DC}$ with V_T = supply of the used transmitter	Display is supplied parallel with transmitter $V_{S \min} = 8 V_{DC} - V_{T \min}$; $V_{S \max} = V_{T \max} - 0.36V_{DC}$ with V_T = supply of the used transmitter
Switching output optionally	max. 2 independent PNP-Open-collector-contacts, depending on the electrical connection, please inquire Switching performance: $V_{Switch} = V_s - 2V$; contact rating max. 125 mA, short -circuit resistant max. switching current : 70 mA Repeatability: $\leq \pm 0,1\%$ FSO Switching frequency: max. 10 Hz, Switching cycles: > 100 x 10 Delay time: 0...100 s	
Electrical connections	ISO 4400 M12x1, metal (5-pin) Binder 723, (5-pin) Binder 723, (7-pin) For connection assignments, see page 2	
Display	4-digit, 7-segment red LED display, digit height 7 mm, range of indication -1999...+9999 Accuracy 0,1% \pm 1 digit; digital damping 0,3...30 s (programmable); Measured value update 0...10 s (programmable)	
Case	PA 6.6, polycarbonate	
Permissible temperatures	Ambient / electronics: -25...85°C Storage: -40...85°C	
Mechanical stability	Vibration: 5 g RMS (20...2000 Hz) Shock: 100 g / 11 ms	
Electrical protection	Reverse polarity protection (no damage, but also no function) Electromagnetic compatibility: emission and immunity according to EN 61326 Short-circuit protection Protection class: IP65	
Weight	approx. 150 g	

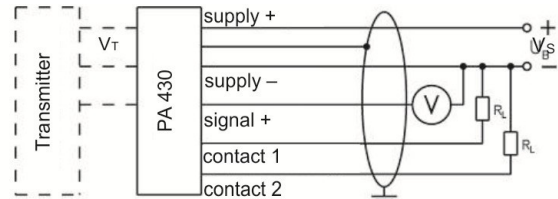


Connection diagrams

2-wire-system (power)



3-wire-system (voltage)



Terminal assignment table

Electrical connection	ISO 4400	M12x1, metal (5-pin)	Binder 723 (5-pin)	Binder 723 (7-pin)
Supply +	1	1	3	3
Supply -	2	2	4	1
Signal + (for 3-wire)	3	3	5	-
Contact 1	3	5	2	-
Contact 2	-	3	1	-
Shield	ground contact	4	ground contact	2