

BOURDON TUBE PRESSURE GAUGE WITH SELF-SEALING CONNECTION THREAD



DRUCK & TEMPERATUR

Nominal size 40, 50, 63

Connection material brass

Connection position bottom or back

These pressure gauges are for all liquid and gaseous media suitable as long as these copper alloys and the PTFE seal do not attack and do not crystallize or are highly viscous.

With self-sealing connection thread for quick installation.

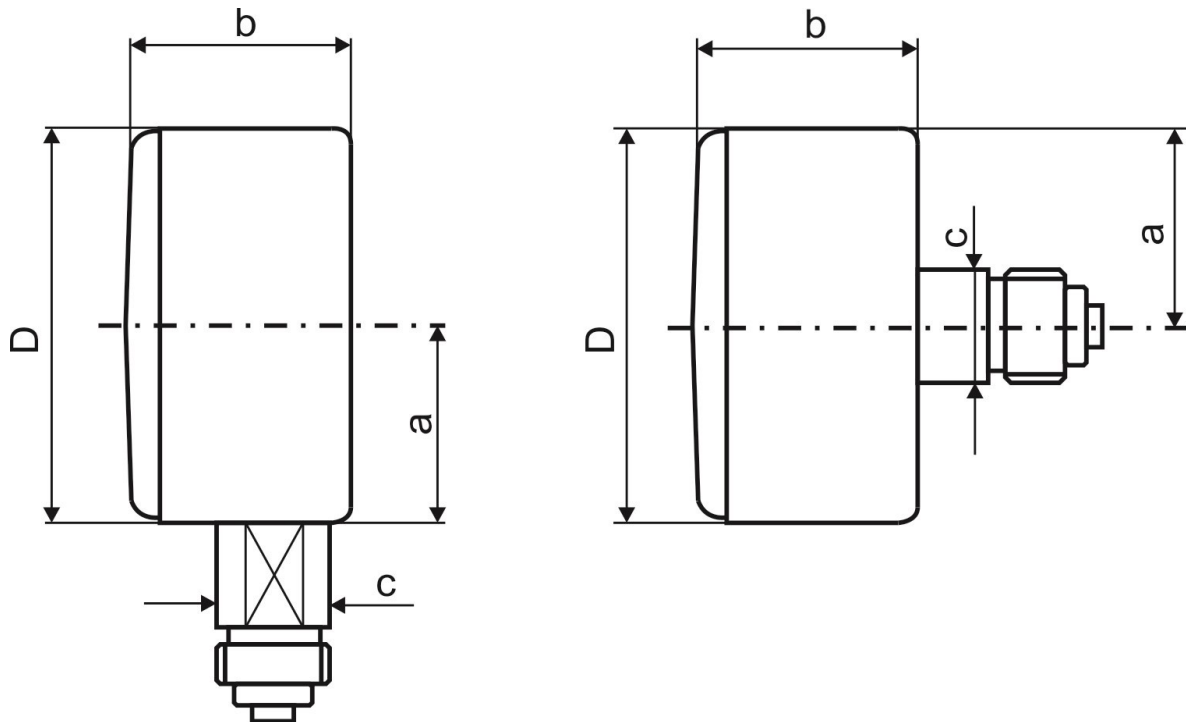


Type (+PTFE)	4101	4151	4201	4251	4301	4351	Options
Nominal size	40		50		63		
Design							
Accuracy	Class 2,5						
Measuring ranges	0...0,6 bar up to 0...25 bar						
Applications	Constant load: 3/4 x end of scale value Alternating load: 2/3 x end of scale value Short time: full scale value						
Case	ABS						
Measuring element	Copper alloy						
Connection material	Brass						
Connetion	G 1/8		G 1/4				NPT, others on request
Connection position	radial bottom	centric back	radial bottom	zentrisch hinten	radial bottom	zentrisch hintenap in	
Sealing material on thread	PTFE						
Windows	Snap in acrylic window						
Dial	Aluminium white coated, scale and lettering black						
Pointer	Aluminium black coated						
Temperatures	Medium: Tmax 60°C, ambient: -20°C; Tmax 60°C						

Type 4101, 4151, 4201, 4251, 4301, 4351 PTFE

Dimensional drawing

Dimensions in mm



Type	NG	D	Thread	a	b	c (SW)
4101 PTFE	40	41	G 1/8	20,5	23,5	11
4151 PTFE	40	41	G 1/8	20,5	24	11
4201 PTFE	50	50	G 1/4	25	27	14
4251 PTFE	50	50	G 1/4	25	27	14
4301 PTFE	63	62	G 1/4	31	29	14
4351 PTFE	63	63	G 1/4	31	29	14