

# DIFFERENTIAL PRESSURE TRANSMITTER



DRUCK & TEMPERATUR

**Solid model, maintenance free**

**Measuring ranges 0...400 mbar up to 0...6 bar**

This type is used for positive, negative and differential pressure of neutral, non-aggressive gaseous and liquid media.

## Application

Heating systems  
Monitoring of filters, fans and compressors  
Ship applications (DNV GL model) in engine, control and pump room



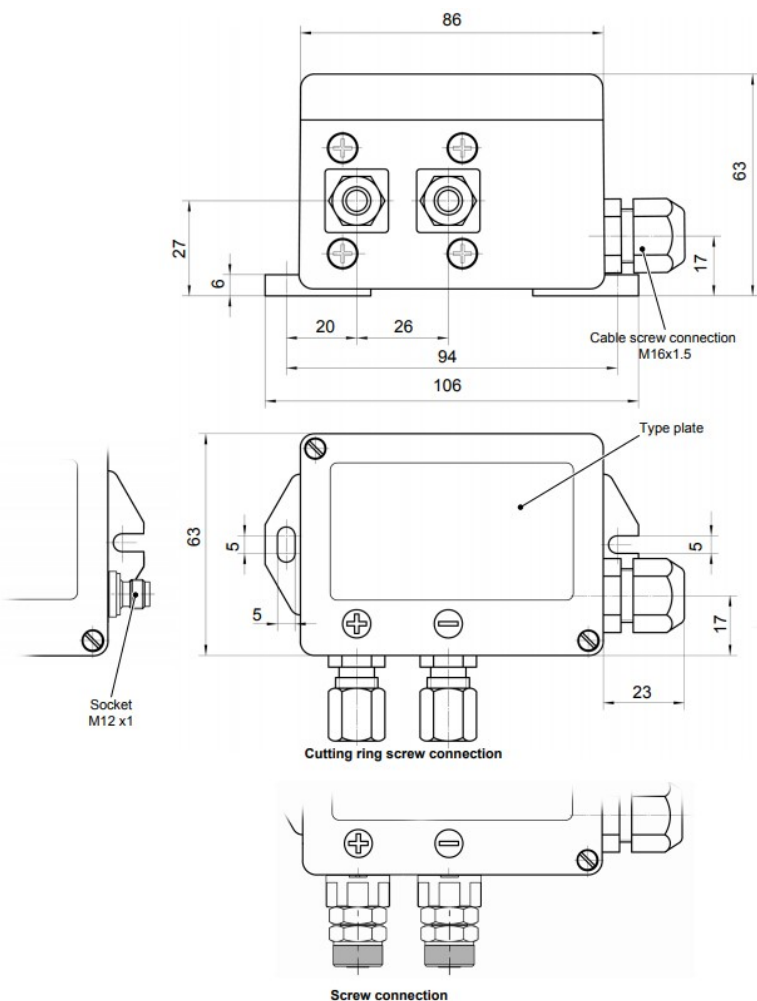
Type	2804	2805	Options
Measuring ranges	0...400 mbar up to 0...6 bar		
Accuracy	Class 2,5	Class 1,0	
Accuracy of the measurement	Linearity $\pm 2\%$ , Hysteresis $\pm 1\%$ of the measuring range span		
Nominal pressure	max. 16 bar		
Burst pressure	both sides $\pm 25$ bar		
Overload capability	one side max. 16 bar, both sides vacuum-proof		
Cable screw connection	Polyamid (PA6)		M12 plug flange casing PA66
Outer cable sheath	PVC		
Measuring system	Brass		1.4310
Diaphragm	NBR		Viton®
Cutting ring screw	Brass nickel-plated		Hose screw connection aluminium anodised
Protection	IP54 acc. to EN 60529		IP54 DNV GL type IP65 acc. to EN 60529
Process connection	G 1/8 female, any installation position		Cutting ring screw for 3/6/8 mm pipe Hose screw for hose 6/4 or 8/6 mm
Electrical connection	M16 x 1,5 mm screw terminal, cable $\varnothing$ 4,5...10 mm screw terminal with wire protection		Number cable 1/2, 5.5 m M12 x 1 5-pin, M12 connection cable
Temperatures	Ambient, storage, medium: 0°C...70°C		IP54 DNV GL type ambient and medium +5°C...70°C
Auxiliary power	Current output	Voltage output	
Rated voltage	24 V AC/DC	24 V AC/DC	
Admissible op. Voltage	20...28 V AC/DC	20...28 V AC/DC	
Power consumption	max. 1W (VA)	max. 0,5 W (VA)	
Output signal	4...20 mA, 3 wire		0...20 mA, 0...10 V

All values at reference conditions (acc. to IEC 61298-1)

**Type 2804, 2805**

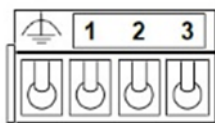
**Dimensional drawings** Dimensions in mm

**Design IP 54 housing**

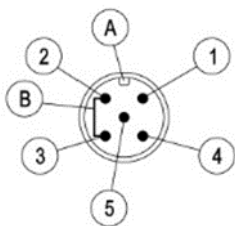


Design IP 65 housing - different dimensions

**Terminal assignment**



Connection terminal



M12 plug 5 pol + bridge

Pin	Signal name		Cable identification
	Functional earth		green/yellow
1	Outlet	+Sig	1
2	Supply	-Ub	-Sig 2
3	Supply	+Ub	3
1	Supply	+Ub	brown
2	Outlet	-Sig	white
3	Supply	-Ub	blue
4	Outlet	+Sig	black
5	Functional earth		green/yellow
A	Code A		
B	Internal bridge		