

**DIFFERENTIAL PRESSURE GAUGE
ALL-METAL MEDIA CHAMBER
Connection 2 x G1/4 female**



DRUCK & TEMPERATUR

**Nominal size 100
Accuracy class 1,6
DIN EN 837-3**

For gaseous and liquid aggressive media that are not highly viscous or crystallising, also in aggressive environments.

Suitable for pump and filter monitoring as well as level measurement in closed containers.

Highly overload-proof up to 40 bar

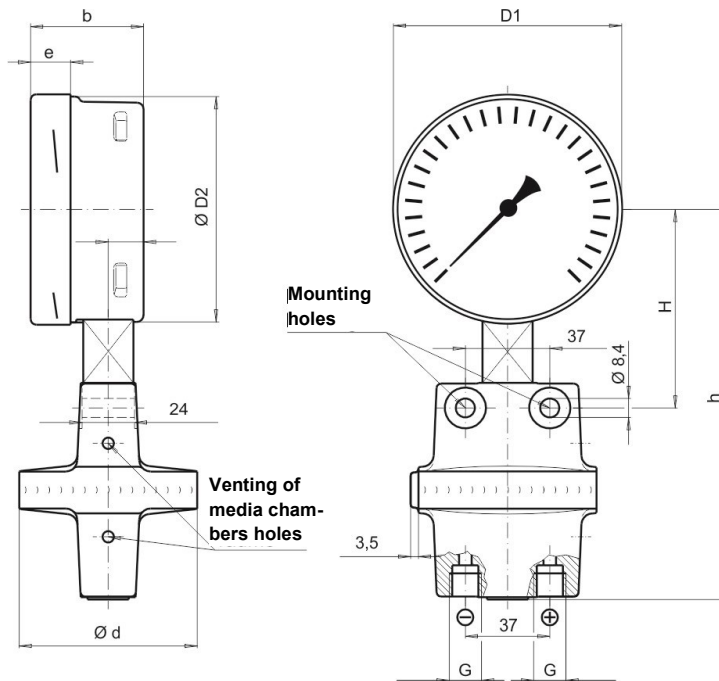


| Type | 2700 | Options |
|--|--|--|
| Nominal size | 100 | 160 |
| Accuracy | Class 1,6 | Class 1,0 and 2,5 |
| Scale ranges | 0...16 mbar up to 0...25 bar | |
| Overload safety / max. working pressure (static) | Scale ranges | Overload safety / max. working pressure (static) |
| | 0...16 up to 0... 40 bar | 2,5 bar / 2,5 bar |
| | 0...60 up to 0...250 mbar | 2,5 bar / 6 bar |
| | 0...400 mbar | 4 bar / 25 bar |
| | 0...0,6 bar | 6 bar / 25 bar |
| | 0...1 bar | 10 bar / 25 bar |
| | 0...1,6 bar | 16 bar / 25 bar |
| 0...2,5 up to 0...25 bar | 25 bar / 25 bar | Overload safety /max. working pr. (static) 2,5 bar / 6 bar 6 bar / 10 bar 40 bar / 40 bar 40 bar / 40 bar 40 bar / 40 bar 40 bar / 40 bar 40 bar / 40 bar |
| Application | Constant load: full scale value Alternating load: 0,9 x full scale value | |
| Measuring system | Diaphragm measuring system | |
| Process connection | G1/4 female | 2 x G1/2B, 2 x G1, 2 x NPT male |
| Connection position | bottom | Others on request |
| Wetted parts | Media chamber with process connection: 1.4571 Pressure element ≤0,25 bar:1.4571, >0,25 bar: NiCr-alloy Bellows:1.4571 | |
| Case | Stainless steel, S1, with blow-out device | Safety version S3 |
| Movement | Stainless steel | |
| Dial | Aluminium white, scale and lettering black | Double or special scale on request |
| Pointer | Aluminium | |
| Window | Laminated safety glass | |
| Medium temperature | -20...+100°C | Higher temperatures on request |
| Ambient temperature | -20...+60°C | Others on request |
| Protection | IP54 according to IEC/EN 60529 | |
| Temperature effect | When the temperature of the measuring system deviates from the reference temperature (+20°C) max.±0,5%/10K of full scale value | |
| Mounting optional | Mounting kit for wall or pipe mounting | |
| More options | Liquid filling (silicone oil) - IP65 Output signal 4-20 mA Versions with switch contacts ATEX-approval | |

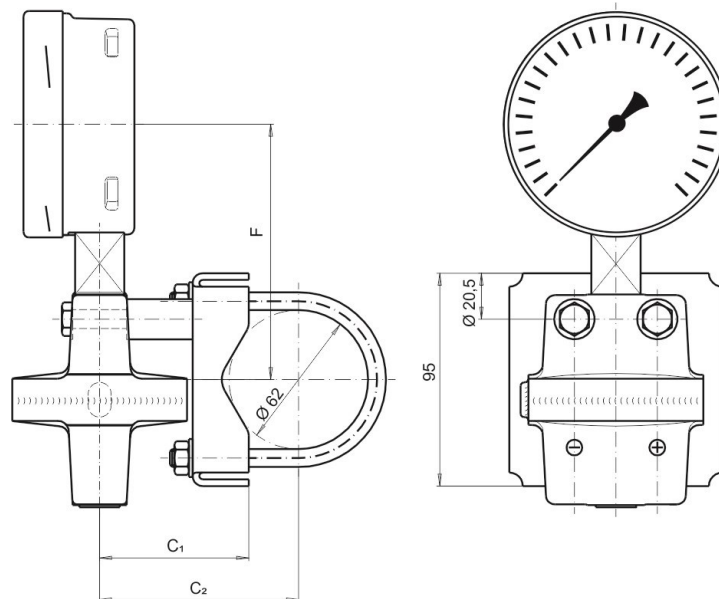
Type 2700

Dimensional drawings Dimension in mm

Standard version - Connection 2 x G1/4 female



Mounting kit for wall or pipe mounting



| NS | Scale range | a | b | D1 | D2 | d | e | G | h±1 | H | F | c1 | c2 | approx. Weight |
|-----|-------------|------|------|-----|-----|-----|------|-----|-----|-----|-----|----|-----|----------------|
| 100 | ≤0,25 bar | 15,5 | 49,5 | 101 | 99 | 140 | 17,5 | G ¼ | 160 | 90 | 114 | 96 | 118 | 2,70 kg |
| 100 | >0,25 bar | 15,5 | 49,5 | 101 | 99 | 78 | 17,5 | G ¼ | 170 | 87 | 66 | 66 | 88 | 1,90 kg |
| 160 | ≤0,25 bar | 15,5 | 49,5 | 161 | 159 | 140 | 17,5 | G ¼ | 190 | 120 | 96 | 96 | 118 | 3,40 kg |
| 160 | >0,25 bar | 15,5 | 49,5 | 161 | 159 | 78 | 17,5 | G ¼ | 200 | 117 | 66 | 66 | 88 | 2,40 kg |