

# DIGITAL PRESSURE GAUGE TYPE 2210 AND 2260



DRUCK & TEMPERATUR

## Nominal size 63

### with or without output signal



### Description

The digital pressure gauge type 2210 is ideal for standard applications and mobile pressure monitoring. They can be used in all applications where liquid or gaseous media are not highly viscous and do not attack alloys or crystallize.

The 4.5-digit LCD display shows the measured value, unit and battery level.

Another version is the digital pressure gauge with signal output as type 2260.

Both types are equipped with backlighting, zero point adjustment and the ability to switch between different units.

### Features

- 4,5 digit LCD display with white backlighting
- Switching possibility between the units kPa, psi, kg/cm<sup>2</sup>, bar and MPa
- Zero point adjustment

### Measuring ranges

- 0...1,6 bar up to 0...250 bar (2210)
- 0...1,0 bar / 0...600 bar (2260)
- Vacuum -1...0 bar

### Options

- Connection back, version with three-hole front ring
- Other threads on request

Technical data



DRUCK & TEMPERATUR

Type	2210	2260
Nominal size	ND 63	
Accuracy	1,0% FS	0,5% FS optional 0,25% FS
Measuring ranges	-1...0 bar 0...1,6 up to 0...250 bar	-1...0 bar 0...1,0 up to 0...600 bar 0...50 up to -500...0...500 mbar
Long-term stability	typical +/-0,2% FS/year	typical +/-0,5% FS/year
Overpressure	<100 bar—200%, ≥100 bar—150%	
Sampling frequency	2 time per second	2 ms
Material connection Material case	1.4301 1.4301	
Sensor	Ceramics	Stainless steel
Thread	G ¼, on request M10x1, ¼NPT	G¼, on request ¼NPT, G½, ½NPT, M20x1,5
Output signal / Connection	without	4-20 mA 2-wire RS485 4-wire
Display	4,5 digit, LCD	LCD 4-20 mA LED RS485 (other option)
Operating temperature Compensation temperature	-10-70°C 18~30°C	-20-80°C 10~70°C
Supply Battery life	2x Mignon AAA (not included in delivery) 12—24 month	12-32 Volt
Weight	0,3 kg	0,35 kg
Options	Connection bach with 3-hole front ring for panel mounting, front-flush diaphragm, clamp, flange, cooling element	

Key function

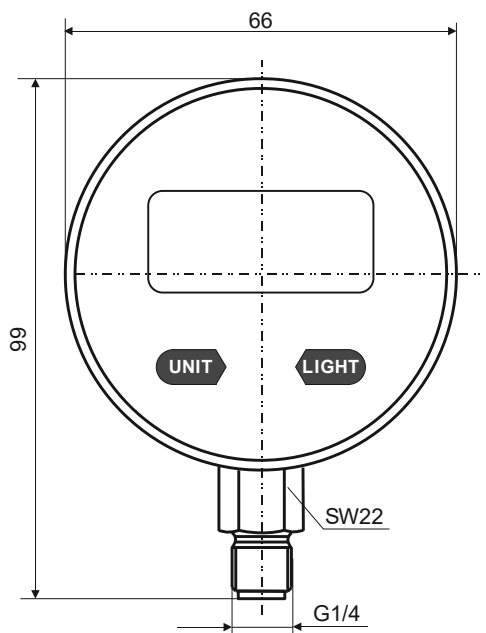
Key-position	Function	Description
Left	On/Off	Long
	Unit switch	Short
Right	Backlight	Short = Light für 20 seconds
	0-Point Adjustment	Long (5 seconds)

Error code

No.	Code	Description
1	E-E	Sensor error
2	E-H	Overpressur or sensor error
3	E-P	Entry program of pressure calibration. Switch off to clear operating errors.

Type 2210, 2260

Type 2210



Type 2260

