

# PRESSURE GAUGES FOR FIRE PUMPS WITH VERTICAL DIAPHRAGM



DRUCK & TEMPERATUR

**Nominal size 80**

**Connection position back centric**

Applications: Pumps on fire extinguishers  
portable pumps

These pressure gauges can withstand pressure surges and vibrations. Furthermore, they are insensitive to sudden pressure relief or destruction of the vacuum and have a high level of overpressure security.



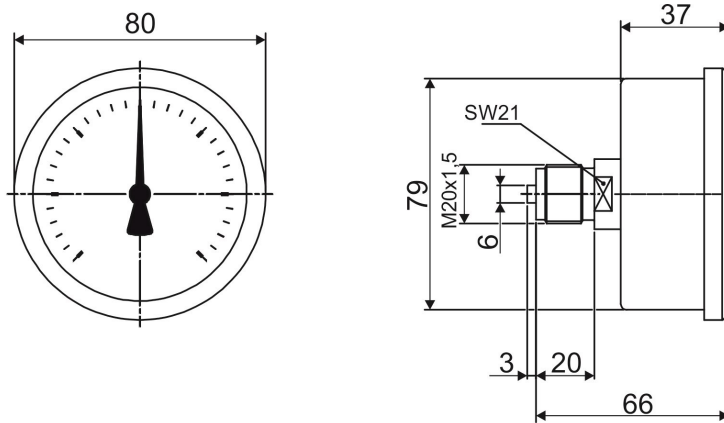
Type	1589	Options
Nominal size	80	
Symbol		
Accuracy class	2,5 acc.to DIN 14 421 and EN 837-3	
Measuring ranges	0...25 bar or -1...24 bar	
Application	Constant load: up to full scale value Alternating load: 90% of full scale value Overload (short-time): 1,3 x full scale value	
Case	Crimped-on ring, stainless steel	
Process connection	M20 x 1,5, SW21, CrNi-steel 304	G1/2B
Connection position	Back centric	
Diaphragm	Vertical, CuBe	
Diaphragm lower part	CrNi-Steel 304	CrNi-steel 304
Sealing	O-Ring NBR	
Movement	Brass / German silver	
Window	Acrylic glass	
Dial	Aluminium white, scale and lettering black/red	Special scales according to customer specifications for larger quantities
Pointer	Aluminium black	
Protection	IP54 acc. to EN 60529, front part IP65	
Temperatures	Storage: -40°C up to +70°C Ambient: -20°C up to +60°C Medium: max. +60°C	
Reference temperature	20°C	
Mounting		Front flange or bracket mounting
Filling liquid	without	Glycerine or silicone oil
Weight	approx. 0,650 kg without filling and mounting device	

**Type 1589**

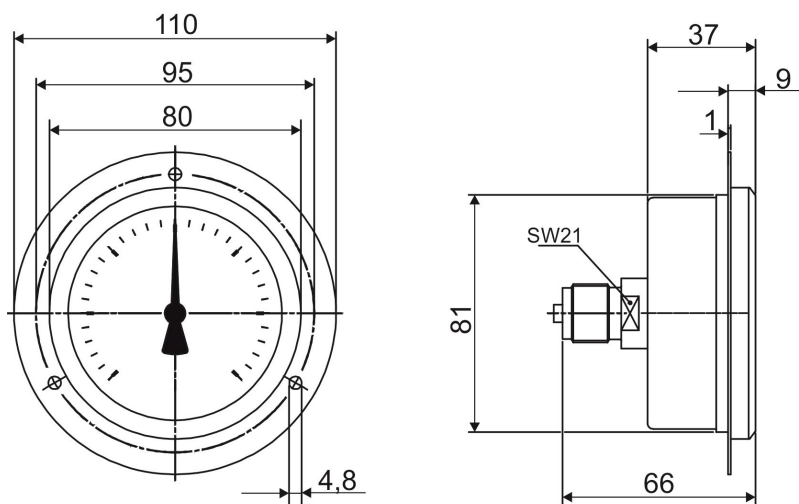
## Dimensional drawings

Dimensions in mm

### without mounting device



### with front flange



### with mounting bracket

