

INSULATION EXTENTION

for bimetal thermometers type 10 with lateral screw



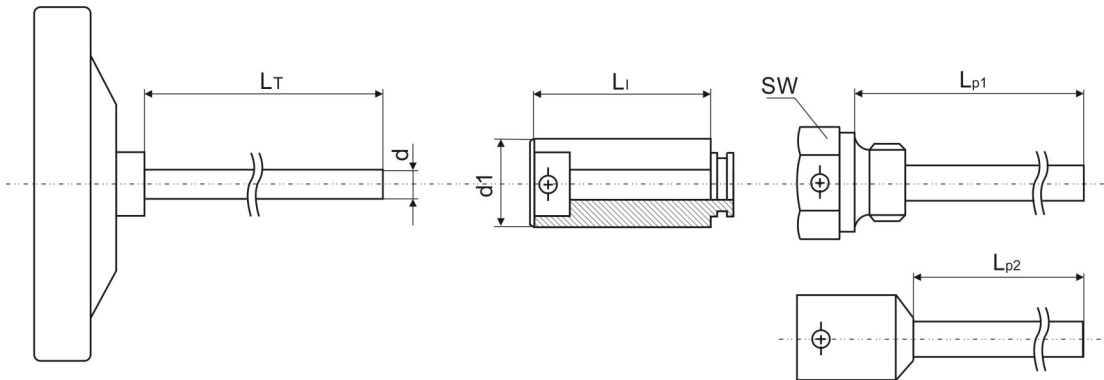
Use in container and pipeline construction as well as in heating and cooling technology.

Installation if there is an insulating layer around the measuring point (container, pipe ...).



Type	06 20 52	06 20 62	Options
Material	Steel		more materials and dimensions on request
Length L1	50 mm	60 mm	
Ø d1	25 mm	25 mm	
Weight	ca. 140 g	ca. 160 g	

Dimensional drawing Dimensions in mm



Thermometer

Insulation extension

Protection tube

Thermometer length LT	Total insulation length	LI	Quantity	Protection tube for screwing in length Lp1	Protection tube for welding in length Lp2
100	60	60	1	45	43
160	60		1	100	80
200	50	50	1	150	140
	100		2	100	80
250	50		1	200	180
	100		2	150	140
	150		3	100	80
300	50		1	250	-
	100		2	200	180
	150		3	150	140
400	100		2	300	-
	150		3	250	-
	200	4	200	180	