

AIR DUCT-BIMETAL-THERMOMETER

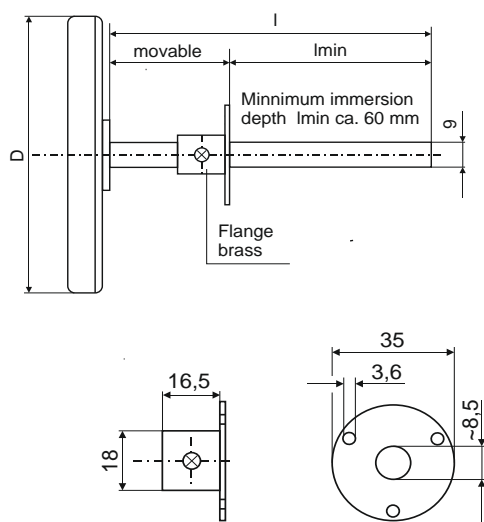
for air-conditioning technology



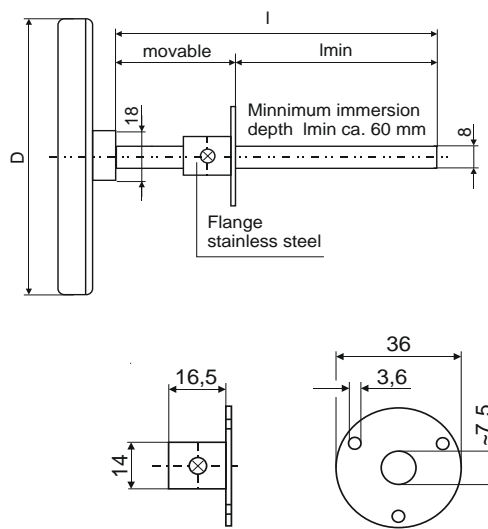
Bimetal-Thermometer Series 01 and 10 with attached and sliding flange for use in ventilation systems and air conditioning systems.

Model	04-3691	04-3683	Options
Flange	Brass	Stainless steel	
Symbol			Typ 10.1 bayonet case

**Bimetal-Thermometer type 01
with brass flange**



**Bimetal-Thermometer type 10
with stainless steel flange**



Technical information bimetal thermometers, please refer to the **data sheet of type 01 / Sheet 2.1** and **data sheet of type 10 Sheet 2.6**.